

SH6032 – ICON SHOWERS

all dimensions shown in inches

60 x 32 x 75 ½ inches



FEATURES

- AcrylX™ applied acrylic surface
- Modern, clean design
- Ample shelf capacity
- Dual integrated foot ledges
- Flat walls to easily accommodate future grab installation
- Slip-resistant, textured bottom
- Left or right hand drain
- Compatible with a wide range of shower doors
- Limited lifetime warranty

OPTIONS

- Factory installed assisted care grab bars
- FHA Reinforcement — For Future Grab Bars
- Full Wall Reinforcement — For Future Grab Bars
- Brass shower drain
- Teak seat (available soon)

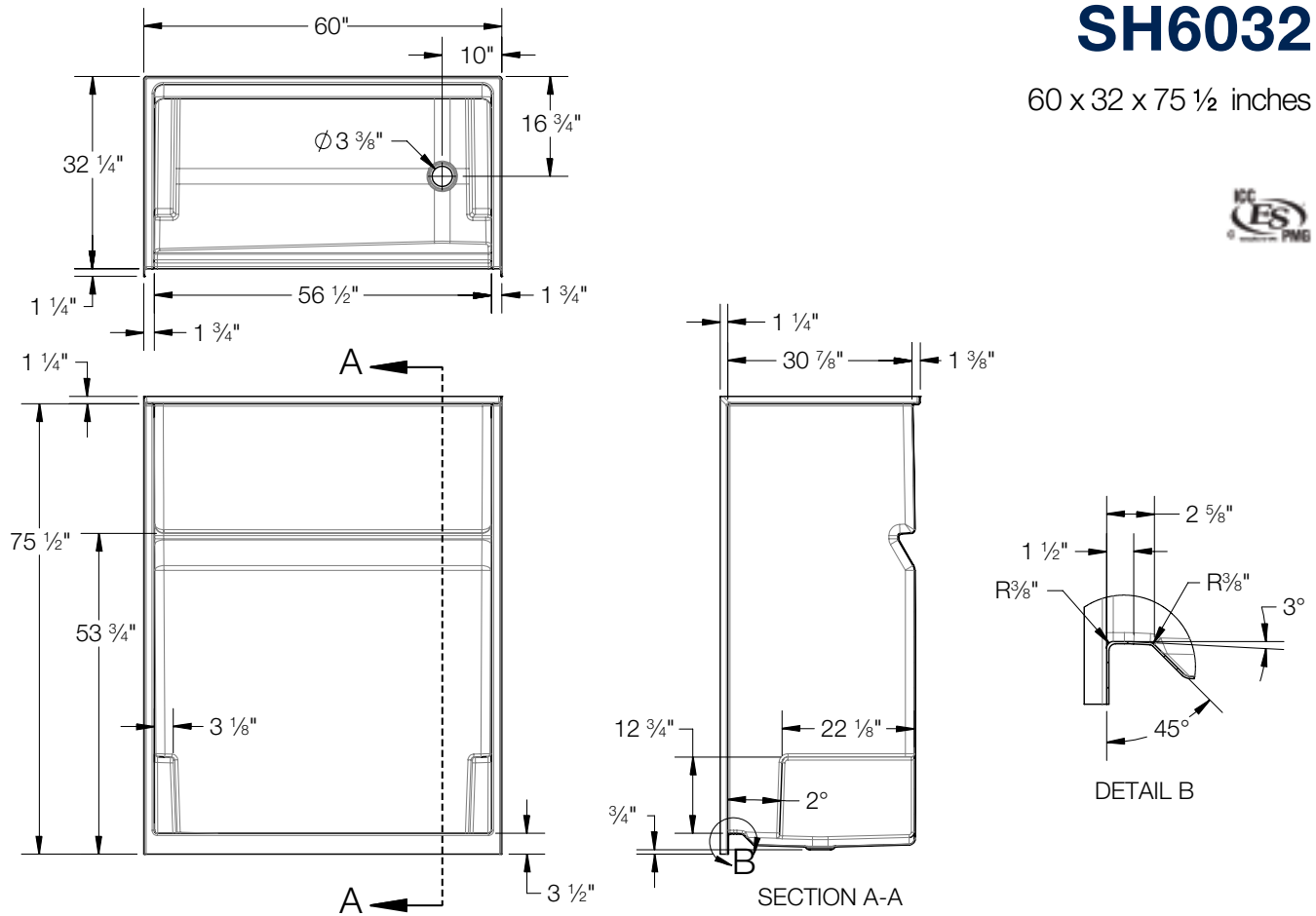
CODE COMPLIANCE

- HUD/FHA Design Manual Requirement 6*
 - CSA B45.5/IAMPO Z124
- *When ordered with factory installed reinforcement, product will meet or exceed the minimum coverage area and load requirements of ANSI section 609.8, when grab bars are installed within the reinforced area.



SH6032

60 x 32 x 75 1/2 inches



FEATURES Dimensional Tolerance \pm $\frac{3}{16}$ ". Dimensions needed for site preparation should be measured from the unit. American Bath Group assumes no responsibility for preparatory work.

Model #	Material	Wall Finish	Pieces	Drain	Seat	Net Wt.	Pkg. Wt.
Shower #SH6032	AcrylX™	Smooth	1	LH or RH	-	140	144

DIMENSIONS

Specifications	inches
Width: Overall / Net	60 / 56 1/2
Depth: Overall / Net	33 1/2 / 32 1/4
Height: Overall / Net	76 3/4 / 75 1/2
Enclosure Opening	56 1/2
Skirt Height	3 1/2
Drain Rough-In (from Back Wall)	16 3/4
Drain Rough-In (from Side Wall)	10
Drain: Diameter / Clearance	3 3/8 / 3/4

FRAMING DIMENSIONS inches

Type	D Depth	W Width	H Height	A	B	C
Alcove	33 1/2	60 1/4	-	Box Out	10	16 3/4

