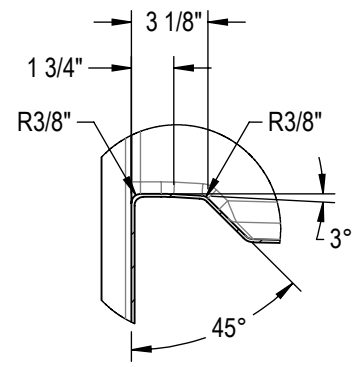
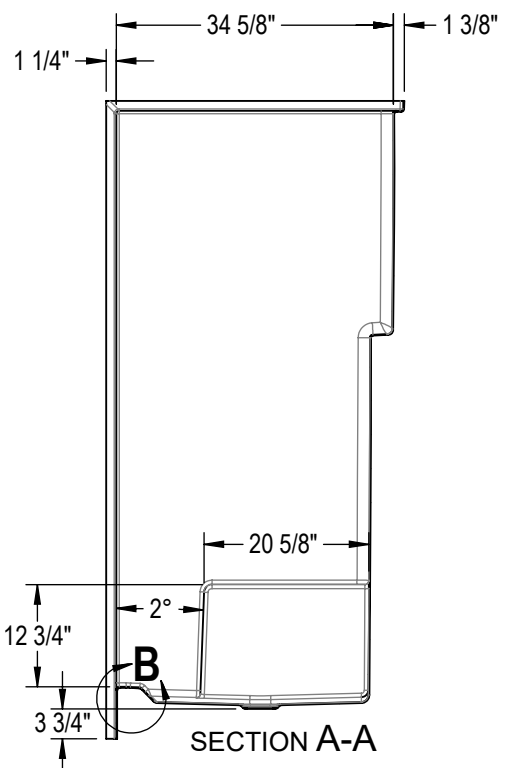
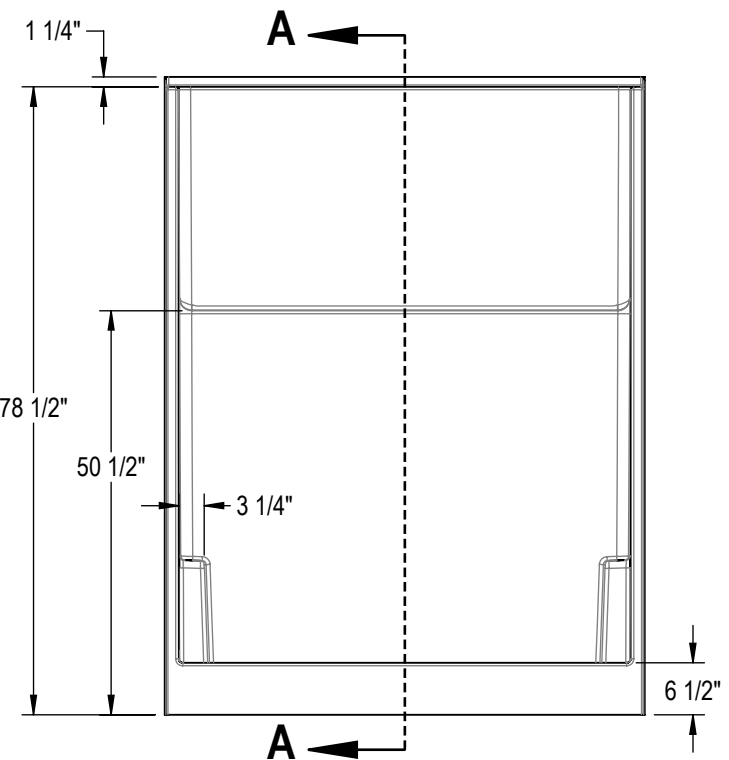
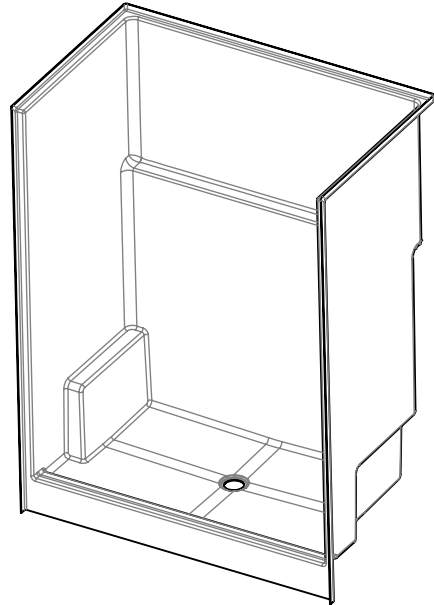
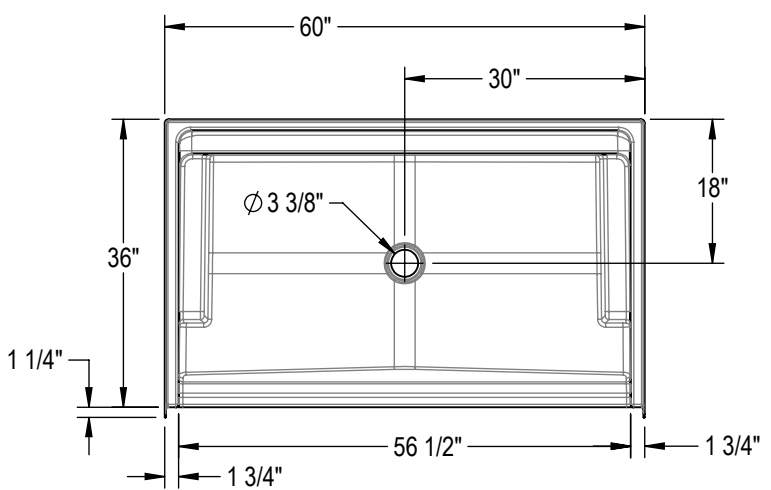


1

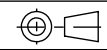
2

3

4



AMERICAN BATH GROUP



TITLE: **Model No. SH6036X**

REV	MODIFICATION DESCRIPTION	BY	DATE
00	New drawing	PJP	2024-06-21

GENERAL TOLERANCES (Unless otherwise specified)			
X/X	IN	±1/8	±3
X.X	MM	±0.125	±3
X.XX		±0.06	±1.5
X.XXX		±0.031	±0.79
X.X*		±0.5°	
Inch	Max. Radi	±0.015	±0.035

DRAWN BY	P.PRIOR	DATE	6/21/2024
APPROVED BY			

DWG. # SH6036X-S SHEET 1 OF 1 FORMAT **A** SCALE: **1:24** REV: **00**

1

2

3

AMERICAN BATH GROUP, OU ENCORE L'UNE DE SES FILIALES, EST L'UNIQUE PROPRIÉTAIRE DE CE DOCUMENT ET DES INFORMATIONS CONFIDENTIELLES QU'IL RENFERME. NUL NE PEUT EN FAIRE L'USAGE QUEL QU'EN SOIT L'OBJET. VISE, LES REPRODUCTIONS OU LES DIVULGUER, SANS LE CONSENTEMENT ÉCRIT EXPlicITE DE MAX CORPORATION OU DE SA FILIALE APPROPRIÉE. THIS DOCUMENT AND THE INFORMATION IT CONTAINS ARE THE EXCLUSIVE PROPERTY OF AMERICAN BATH GROUP OR ANY OF ITS SUBSIDIARIES, AND ARE PROPRIETARY AND CONFIDENTIAL. NEITHER THIS DOCUMENT NOR ANY OF THE INFORMATION CONTAINED IN IT MAY BE USED FOR ANY PURPOSE, NOR REPRODUCED OR DISCLOSED BY YOU TO OTHERS, WITHOUT THE EXPRESS WRITTEN CONSENT OF MAX CORPORATION OR ITS APPROPRIATE SUBSIDIARY.