

1

2

3

4

D

D

C

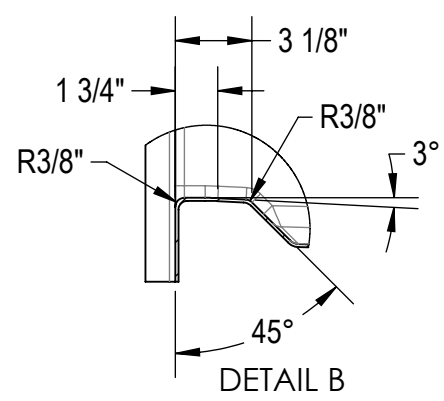
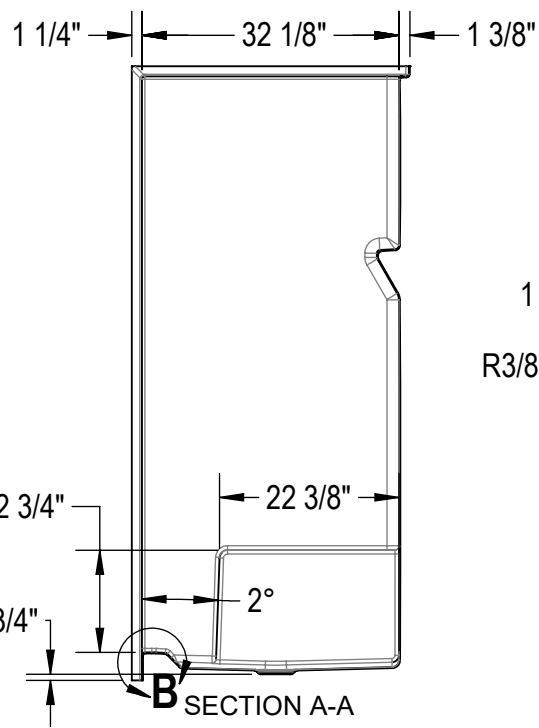
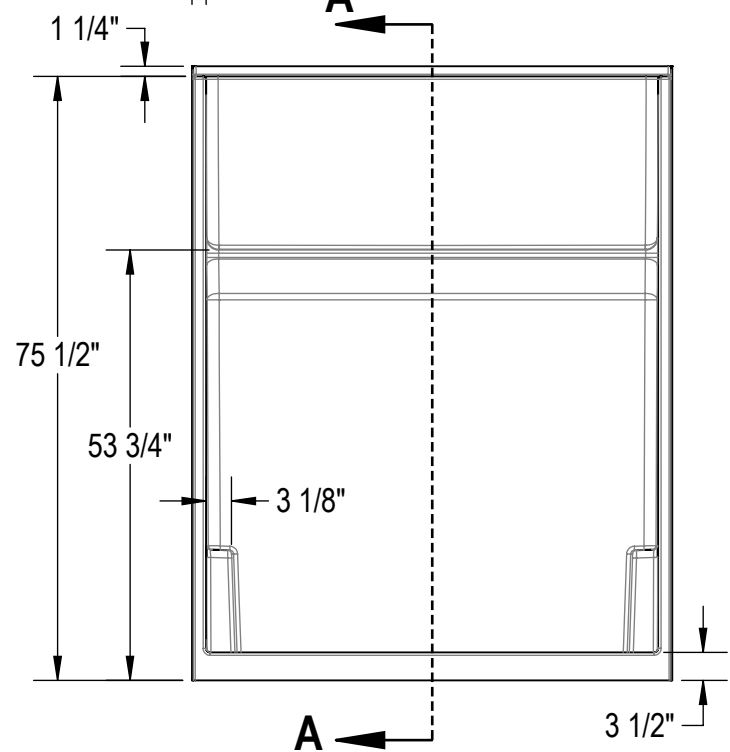
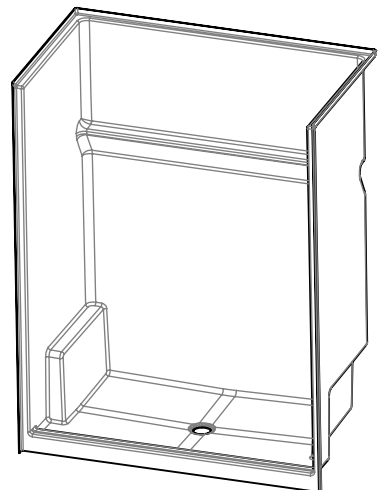
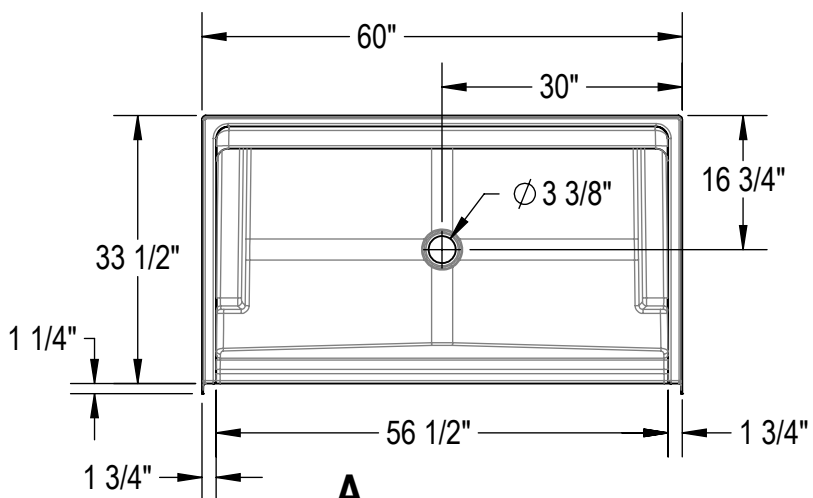
C

B

B

A

A



AMERICAN BATH GROUP						TITLE:						
				<small>GENERAL TOLERANCES (Unless otherwise specified)</small>		Model No. SH6034						
REV	MODIFICATION DESCRIPTION	BY	DATE	<small>Only electronic version of this document is controlled.</small> X/X ±1/8 ±3 X.X ±0.125 ±3 X.XX ±0.06 ±1.5 X.XXX ±0.031 ±0.79 X.X* ±0.5*	<small>IN MM</small> ±1/8 ±3 ±0.125 ±3 ±0.06 ±1.5 ±0.031 ±0.79 ±0.5*	<table border="1" style="width: 100%;"> <tr> <td>NAME</td> <td>DATE</td> </tr> <tr> <td>P.PRIOR</td> <td>6/20/24</td> </tr> </table>		NAME	DATE	P.PRIOR	6/20/24	
NAME	DATE											
P.PRIOR	6/20/24											
00	New Drawing	PJP	2024-06-20	<small>UNIT OF MEASURE:</small> Inch	<small>Max. Radi</small> ±0.015 ±0.035	<table border="1" style="width: 100%;"> <tr> <td>DRAWN BY</td> <td>APPROVED BY</td> </tr> <tr> <td>P.PRIOR</td> <td></td> </tr> </table>		DRAWN BY	APPROVED BY	P.PRIOR		
DRAWN BY	APPROVED BY											
P.PRIOR												
				DWG. # SH6034-S		<table border="1" style="width: 100%;"> <tr> <td>SHEET 1 OF 1</td> <td>FORMAT</td> <td>A</td> <td>SCALE:</td> <td>1:24</td> </tr> </table>		SHEET 1 OF 1	FORMAT	A	SCALE:	1:24
SHEET 1 OF 1	FORMAT	A	SCALE:	1:24								
						REV: 00						

1

2

3

AMERICAN BATH GROUP, OU ENCORE L'UNE DE SES FILIALES, EST L'UNIQUE PROPRIÉTAIRE DE CE DOCUMENT ET DES INFORMATIONS CONFIDENTIELLES QU'IL RENFERME. NUL NE PEUT EN FAIRE L'USAGE QUEL QU'EN SOIT L'OBJET. VISE, LES REPRODUCTIONS OU LES DIVULGUER, SANS LE CONSENTEMENT ÉCRIT D'EXPLOITEUR DE MAX CORPORATION, OU DE SA FILIALE APPROPRIÉE. THIS DOCUMENT AND THE INFORMATION IT CONTAINS ARE THE EXCLUSIVE PROPERTY OF AMERICAN BATH GROUP OR ANY OF ITS SUBSIDIARIES, AND ARE PROPRIETARY AND CONFIDENTIAL. NEITHER THIS DOCUMENT NOR ANY OF THE INFORMATION CONTAINED IN IT MAY BE USED FOR ANY PURPOSE, NOR REPRODUCED OR DISCLOSED BY YOU TO OTHERS, WITHOUT THE EXPRESS WRITTEN CONSENT OF MAX CORPORATION OR ITS APPROPRIATE SUBSIDIARY.