

1

2

3

4

D

D

C

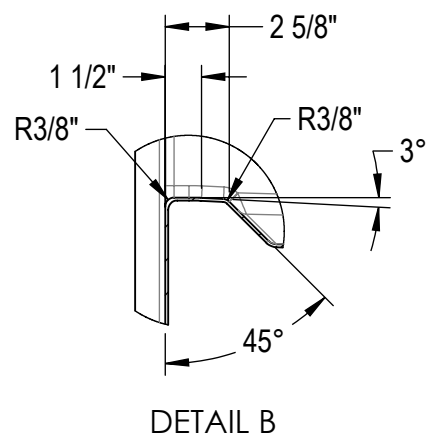
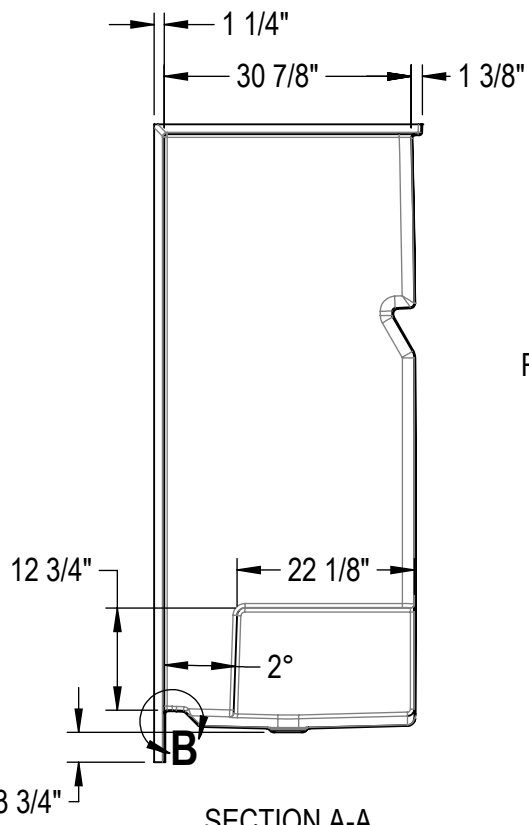
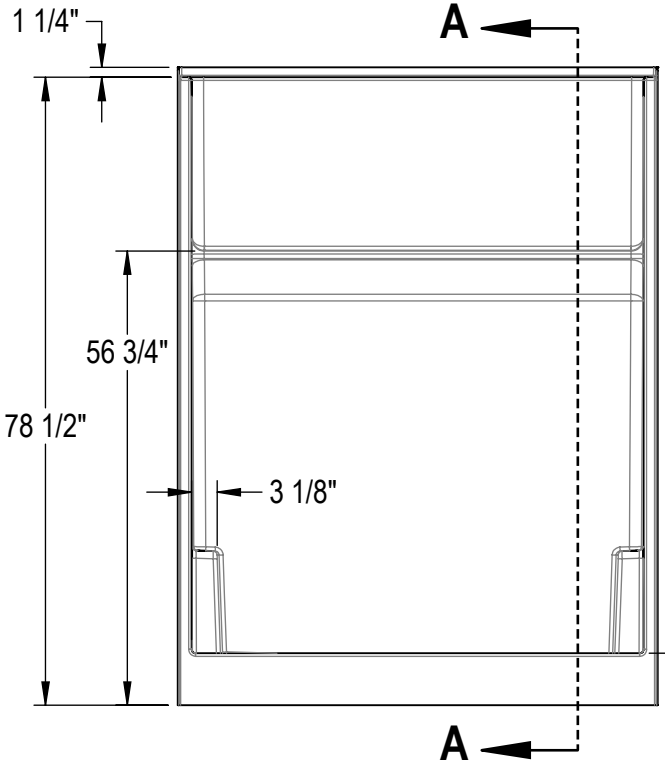
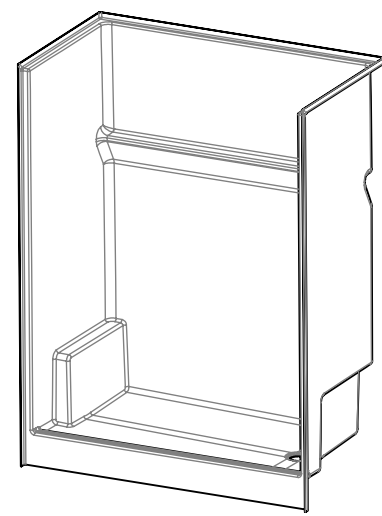
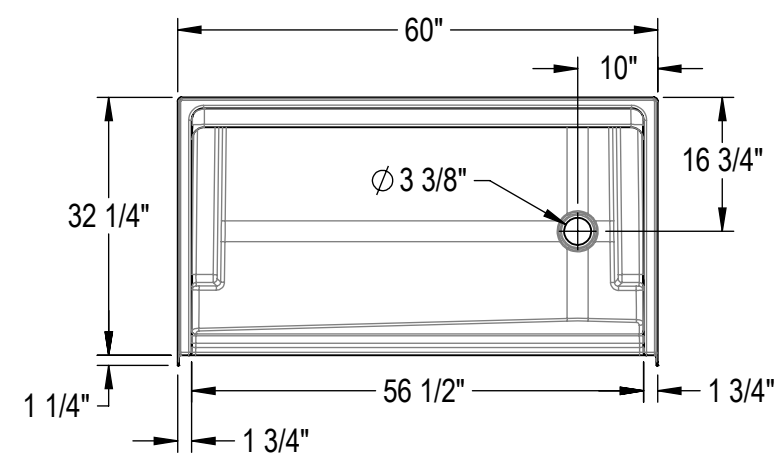
C

B

B

A

A



<b>AMERICAN BATH GROUP</b>						TITLE:																						
(Unless otherwise specified)				<table border="1"> <tr> <td></td> <td>IN</td> <td>MM</td> </tr> <tr> <td>X/X</td> <td>±1/8</td> <td>±3</td> </tr> <tr> <td>X.X</td> <td>±0.125</td> <td>±3</td> </tr> <tr> <td>X.XX</td> <td>±0.06</td> <td>±1.5</td> </tr> <tr> <td>X.XXX</td> <td>±0.031</td> <td>±0.79</td> </tr> <tr> <td>X.X*</td> <td>±0.5°</td> <td></td> </tr> <tr> <td>Inch</td> <td>Max. Radi</td> <td>±0.015 ±0.035</td> </tr> </table>			IN	MM	X/X	±1/8	±3	X.X	±0.125	±3	X.XX	±0.06	±1.5	X.XXX	±0.031	±0.79	X.X*	±0.5°		Inch	Max. Radi	±0.015 ±0.035	Model No. SH6032X LR	
	IN	MM																										
X/X	±1/8	±3																										
X.X	±0.125	±3																										
X.XX	±0.06	±1.5																										
X.XXX	±0.031	±0.79																										
X.X*	±0.5°																											
Inch	Max. Radi	±0.015 ±0.035																										
REV	MODIFICATION DESCRIPTION	BY	DATE	GENERAL TOLERANCES		DRAWN BY																						
00	New Drawing	PJP	2024-06-20	UNIT OF MEASURE:		P.PRIOR																						
				Inch		6/20/24																						
				APPROVED BY		SHEET 1 OF 1																						
				Max. Radi ±0.015 ±0.035		FORMAT <b>A</b> SCALE: <b>1:24</b>																						
				<b>DWG. # SH6032X LR-S</b>		REV: <b>00</b>																						

1

2

3

AMERICAN BATH GROUP, OU ENCORE L'UNE DE SES FILIALES, EST L'UNIQUE PROPRIÉTAIRE DE CE DOCUMENT ET DES INFORMATIONS CONFIDENTIELLES QU'IL RENFERME. NUL NE PEUT EN FAIRE L'USAGE QUEL QU'EN SOIT L'OBJET. VISE, LES REPRODUCTIONS OU LES DIVULGUER, SANS LE CONSENTEMENT ÉCRIT D'EXPLOITÉ DE MAX CORPORATION OU DE SA FILIALE APPROPRIÉE. THIS DOCUMENT AND THE INFORMATION IT CONTAINS ARE THE EXCLUSIVE PROPERTY OF AMERICAN BATH GROUP OR ANY OF ITS SUBSIDIARIES, AND ARE PROPRIETARY AND CONFIDENTIAL. NEITHER THIS DOCUMENT NOR ANY OF THE INFORMATION CONTAINED IN IT MAY BE USED FOR ANY PURPOSE, NOR REPRODUCED OR DISCLOSED BY YOU TO OTHERS, WITHOUT THE EXPRESS WRITTEN CONSENT OF MAX CORPORATION OR ITS APPROPRIATE SUBSIDIARY.