

1

2

3

4

D

D

C

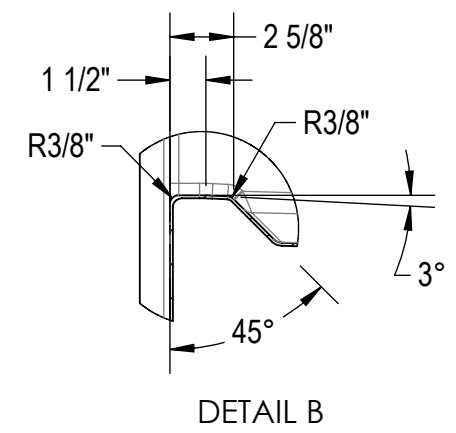
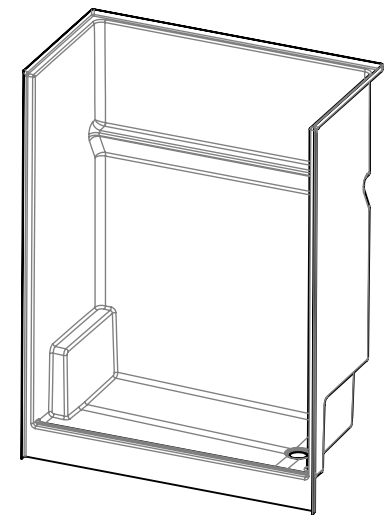
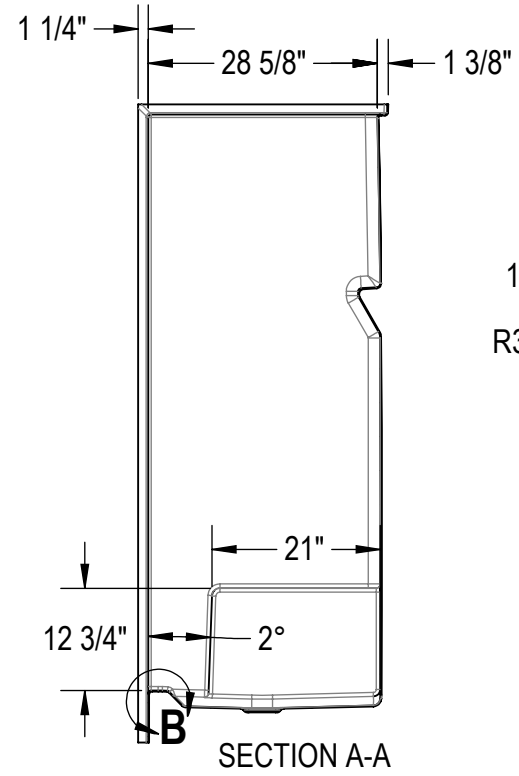
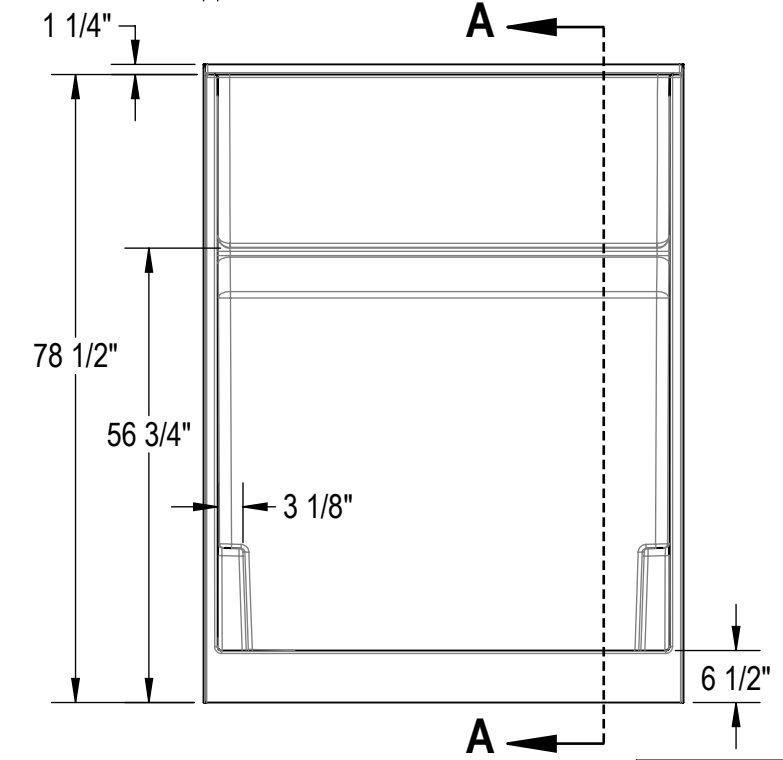
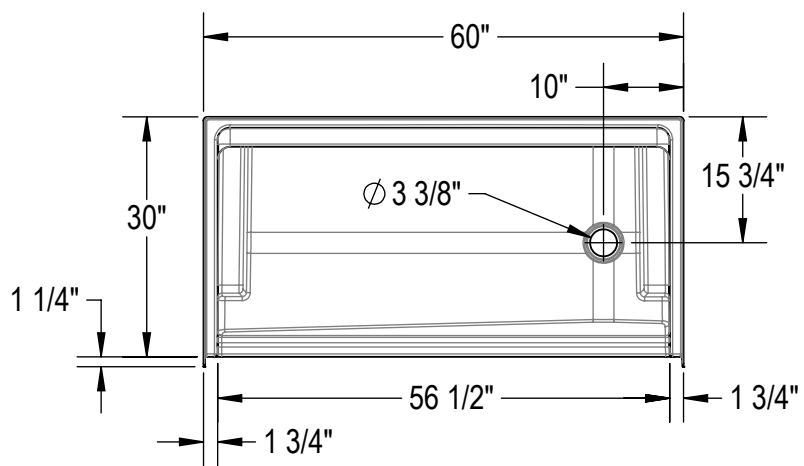
C

B

B

A

A



AMERICAN BATH GROUP						TITLE:	
				<small>GENERAL TOLERANCES (Unless otherwise specified)</small>		Model No. SH6030X L/R	
REV	MODIFICATION DESCRIPTION	BY	DATE	<small>Only electronic version of this document is controlled.</small> X/X ±1/8 ±3 X.X ±0.125 ±3 X.XX ±0.06 ±1.5 X.XXX ±0.031 ±0.79 X.X* ±0.5*	IN ±1/8 ±3 MM ±0.125 ±3	DRAWN BY P.PRIOR	
00	New drawing	PJP	6-19-24			APPROVED BY	
				UNIT OF MEASURE: Inch	Max. Radi ±0.015 ±0.035	SHEET 1 OF 1	
				DWG. # SH6030X LR-S		NAME: P.PRIOR SCALE: A 1:24 REV: 00	

1

2

3

AMERICAN BATH GROUP, OU ENCORE L'UNE DE SES FILIALES, EST L'UNIQUE PROPRIETAIRE DE CE DOCUMENT ET DES INFORMATIONS CONFIDENTIELLES QU'IL RENFERME. NUL NE PEUT EN FAIRE L'USAGE QUEL QU'EN SOIT L'OBJET. VISE, LES REPRODUIRE OU LES DIVULGUER, SANS LE CONSENTEMENT ECRIT D'EXPLOITEUR DE MAX CORPORATION, OU DE SA FILIALE APPROPRIEE. THIS DOCUMENT AND THE INFORMATION IT CONTAINS ARE THE EXCLUSIVE PROPERTY OF AMERICAN BATH GROUP OR ANY OF ITS SUBSIDIARIES, AND ARE PROPRIETARY AND CONFIDENTIAL. NEITHER THIS DOCUMENT NOR ANY OF THE INFORMATION CONTAINED IN IT MAY BE USED FOR ANY PURPOSE, NOR REPRODUCED OR DISCLOSED BY YOU TO OTHERS, WITHOUT THE EXPRESS WRITTEN CONSENT OF MAX CORPORATION OR ITS APPROPRIATE SUBSIDIARY.