

1

2

3

4

D

D

C

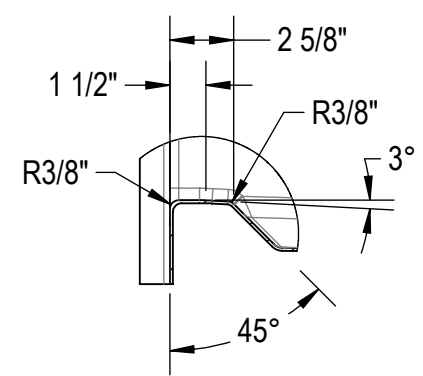
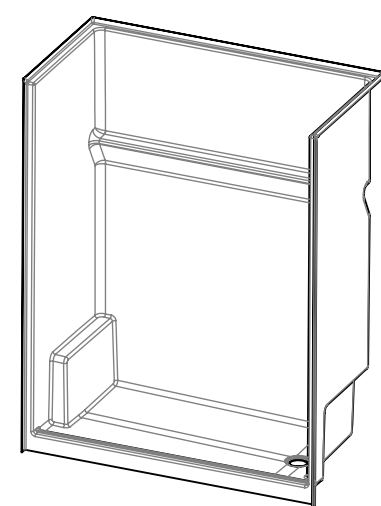
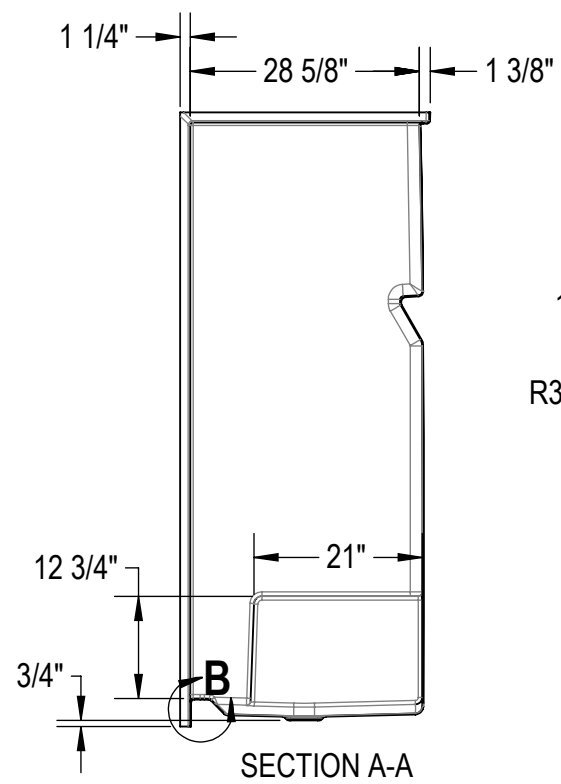
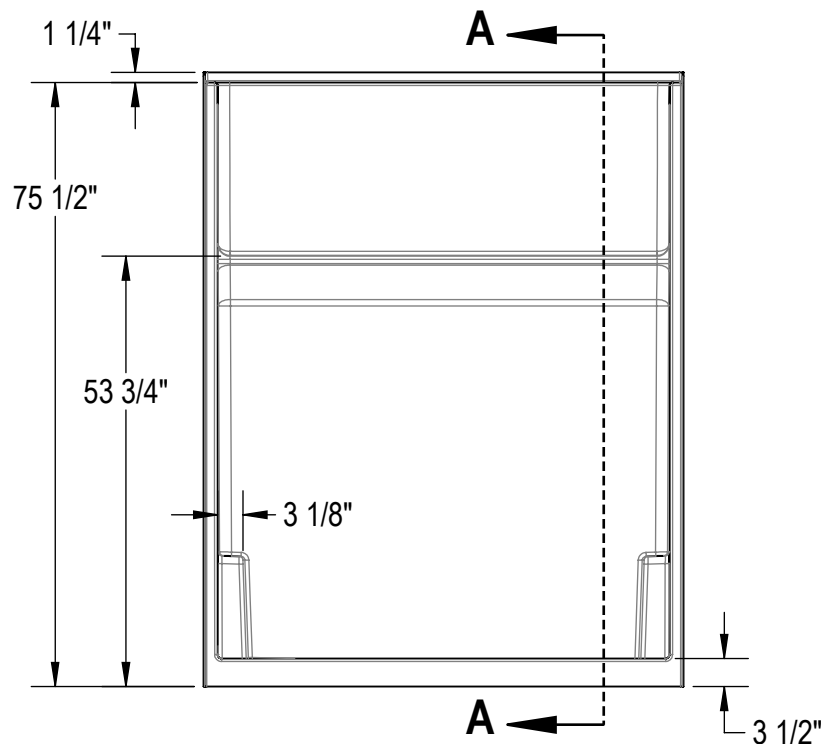
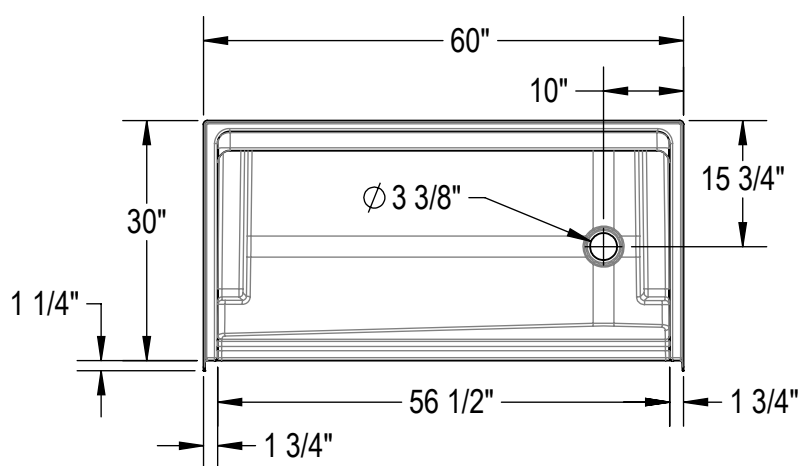
C

B

B

A

A



AMERICAN BATH GROUP				 GENERAL TOLERANCES (Unless otherwise specified)		TITLE:	
REV	MODIFICATION DESCRIPTION	BY	DATE	IN	MM	Model No. SH6030L/R	
00	New drawing	PJP	6-19-24	X/X X.X X.XX X.XXX X.X*	±1/8 ±3 ±0.125 ±3 ±0.06 ±1.5 ±0.031 ±0.79 ±0.5*	DRAWN BY	NAME
				UNIT OF MEASURE:		APPROVED BY	DATE
				Inch	Max. Radi ±0.015 ±0.035	SHEET 1 OF 1	6-19-24
<b>DWG. # SH6030 LR-S</b>						FORMAT	SCALE: <b>1:24</b>
						REV: 00	

1

2

3

AMERICAN BATH GROUP, OU ENCORE L'UNE DE SES FILIALES, EST L'UNIQUE PROPRIÉTAIRE DE CE DOCUMENT ET DES INFORMATIONS CONFIDENTIELLES QU'IL RENFERME. NUL NE PEUT EN FAIRE L'USAGE QUEL QU'EN SOIT L'OBJET. VISE, LES REPRODUCTIONS OU LES DIVULGUER, SANS LE CONSENTEMENT ÉCRIT D'EXPLOITATION DE MAX CORPORATION, OU DE SA FILIALE APPROPRIÉE. THIS DOCUMENT AND THE INFORMATION IT CONTAINS ARE THE EXCLUSIVE PROPERTY OF AMERICAN BATH GROUP OR ANY OF ITS SUBSIDIARIES, AND ARE PROPRIETARY AND CONFIDENTIAL. NEITHER THIS DOCUMENT NOR ANY OF THE INFORMATION CONTAINED IN IT MAY BE USED FOR ANY PURPOSE, NOR REPRODUCED OR DISCLOSED BY YOU TO OTHERS, WITHOUT THE EXPRESS WRITTEN CONSENT OF MAX CORPORATION OR ITS APPROPRIATE SUBSIDIARY.