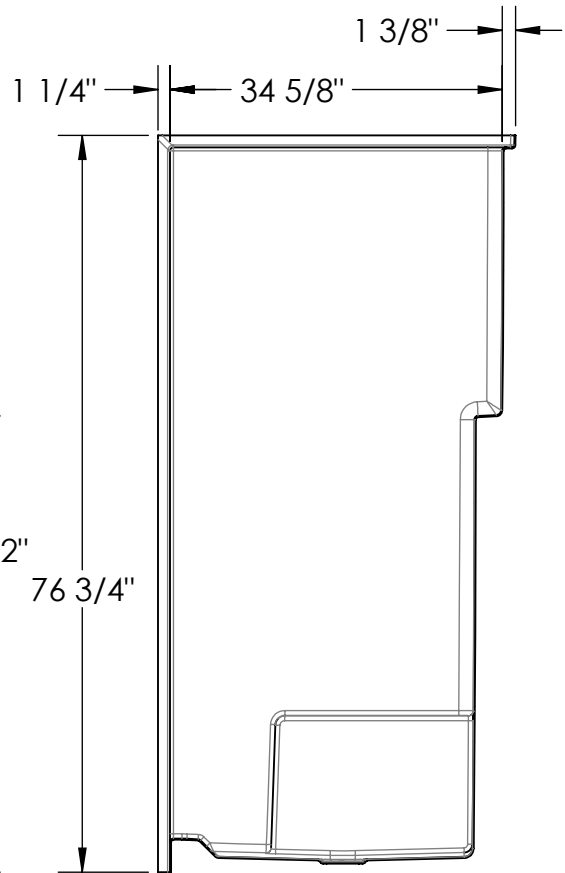
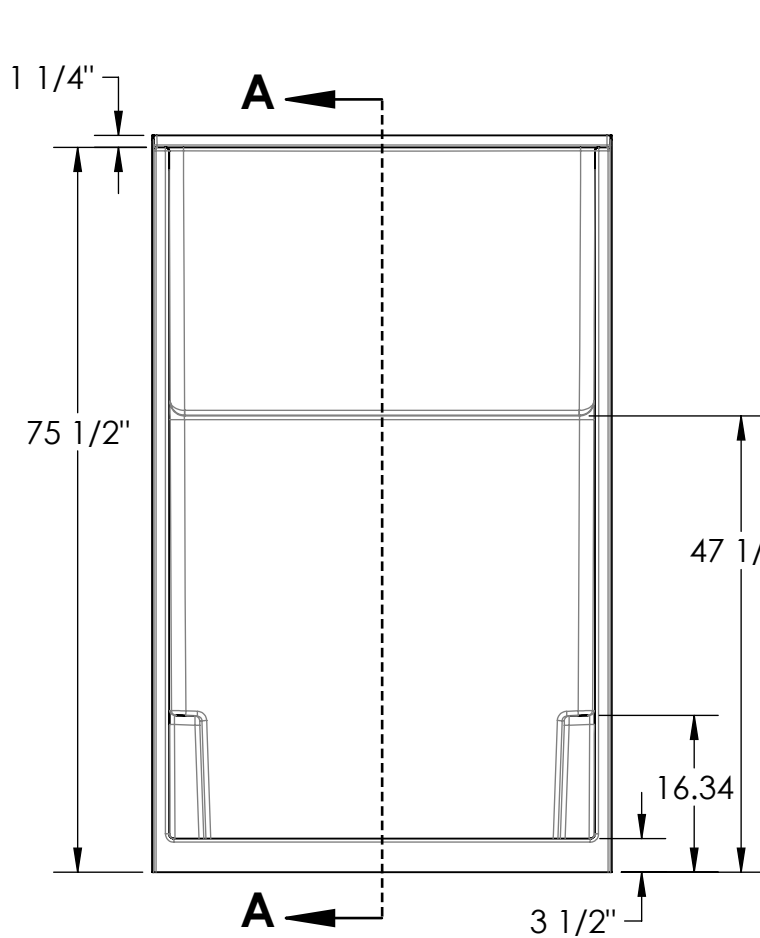
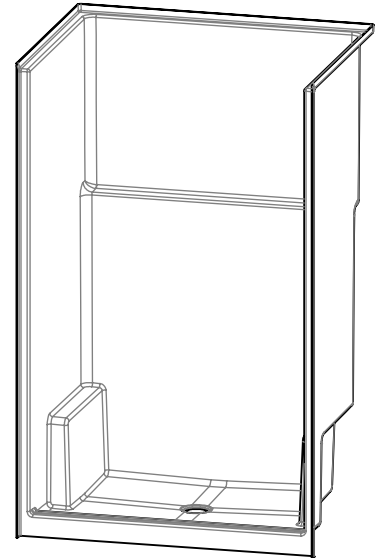
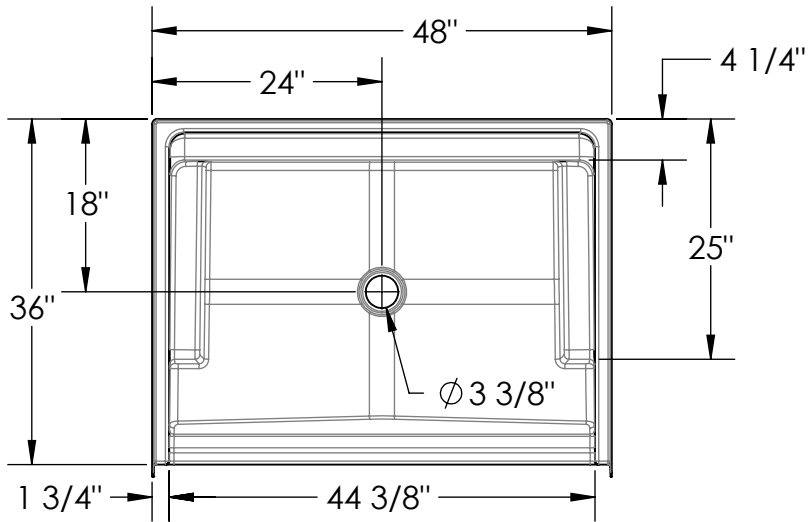



SURFACE AREA: 71.3 SQ. FT.



SECTION A-A

	NAME	DATE	 1700 N. Delilah St. Corona, CA 92879	
DRAWN	P.PRIOR	09/22/22		
CHECKED				
PROD. MGR				
R&D MGR.				
COMMENT:			TITLE: Model No. SH4836	
	SIZE	DWG. NO.	ECO#	
	A	SH4836-S	XXXX	
	SCALE 1:20			SHEET 1 OF 1

The attached material and all the proprietary information of Aquatic, contained hereon is the exclusive property of Aquatic and will be treated as confidential and not copied or disclosed, except as expressly provided by written agreement with Aquatic.