

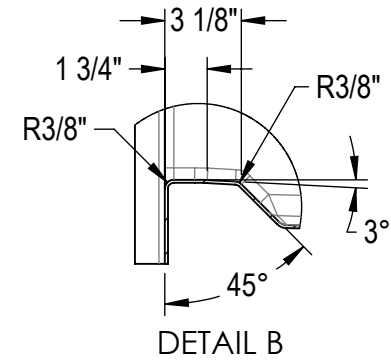
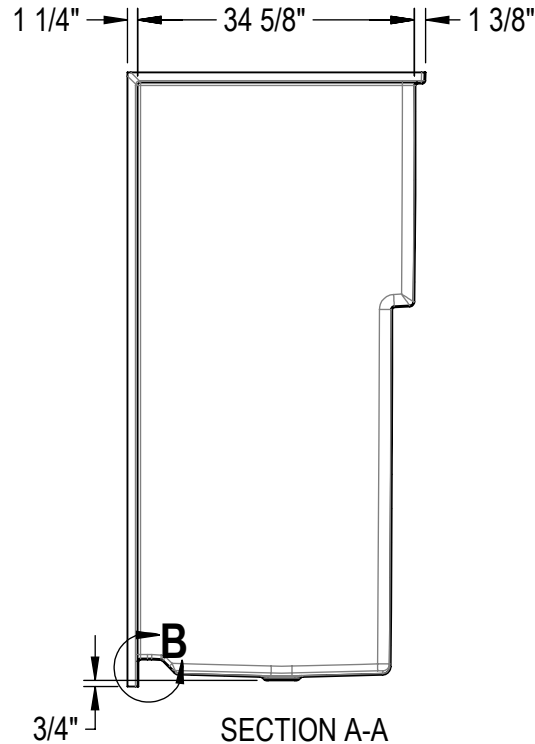
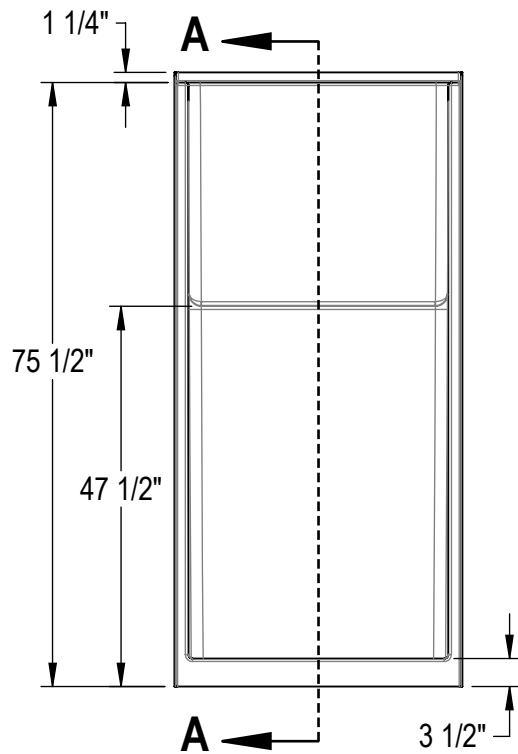
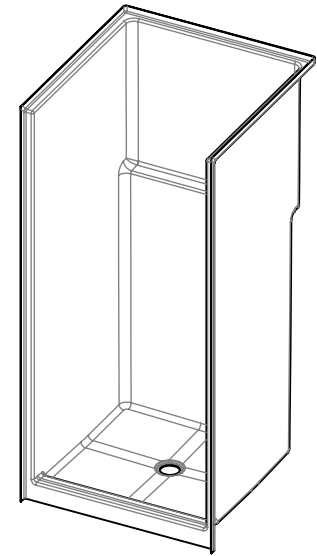
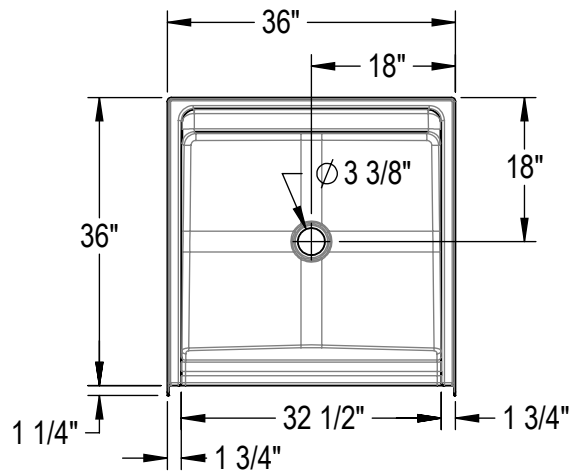
1 2 3 4

D

C

B

A



AMERICAN BATH GROUP						TITLE:	
REV MODIFICATION DESCRIPTION BY DATE				GENERAL TOLERANCES <small>(Unless otherwise specified)</small>		Model No. SH3636	
00	New Drawing	PJP	2024-06-24	<small>Only electronic version of this document is controlled.</small> X/X ±1/8 ±3 X.X ±0.125 ±3 X.XX ±0.06 ±1.5 X.XXX ±0.031 ±0.79 X.X* ±0.5* Inch Max. Radii ±0.015 ±0.035	IN MM ±1/8 ±3 ±0.125 ±3 ±0.06 ±1.5 ±0.031 ±0.79 ±0.5* Max. Radii ±0.015 ±0.035	DRAWN BY P.PRIOR DATE 6/24/24 APPROVED BY	
				UNIT OF MEASURE: Inch		SHEET 1 OF 1 FORMAT A SCALE: 1:24	
				DWG. # SH3636-S		REV: 00	

1 2 3 4

D

C

B

A

AMERICAN BATH GROUP, OU ENCORE L'UNE DE SES FILIALES, EST L'UNIQUE PROPRIÉTAIRE DE CE DOCUMENT ET DES INFORMATIONS CONFIDENTIELLES QU'IL RENFERME. NUL NE PEUT EN FAIRE L'USAGE QUEL QU'EN SOIT L'OBJET. VISE, LES REPRODUIRE OU LES DIVULGUER, SANS LE CONSENTEMENT ÉCRIT D'EXPLOITÉ DE MAX CORPORATION OU DE SA FILIALE APPROPRIÉE. THIS DOCUMENT AND THE INFORMATION IT CONTAINS ARE THE EXCLUSIVE PROPERTY OF AMERICAN BATH GROUP OR ANY OF ITS SUBSIDIARIES, AND ARE PROPRIETARY AND CONFIDENTIAL. NEITHER THIS DOCUMENT NOR ANY OF THE INFORMATION CONTAINED IN IT MAY BE USED FOR ANY PURPOSE, NOR REPRODUCED OR DISCLOSED BY YOU TO OTHERS, WITHOUT THE EXPRESS WRITTEN CONSENT OF MAX CORPORATION OR ITS APPROPRIATE SUBSIDIARY.