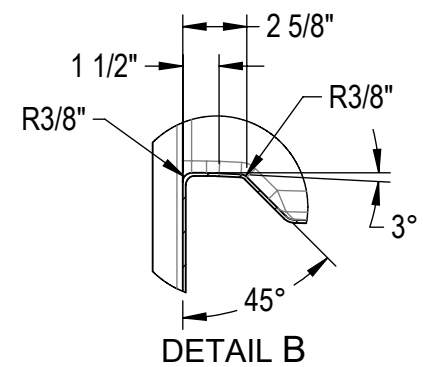
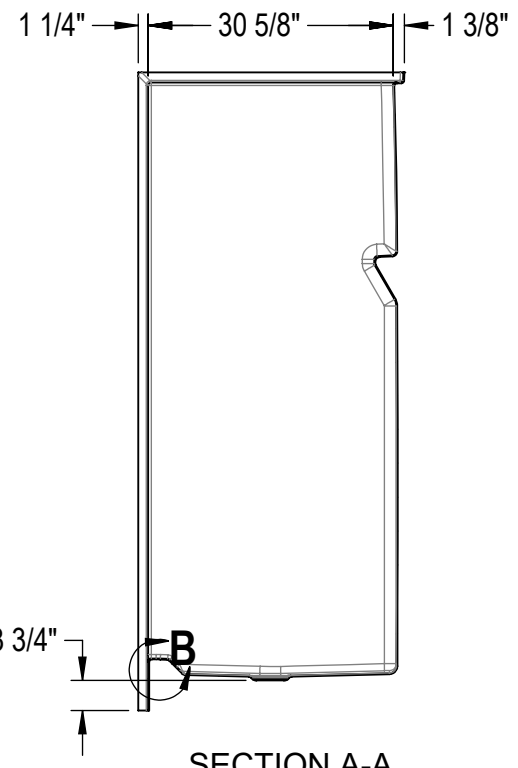
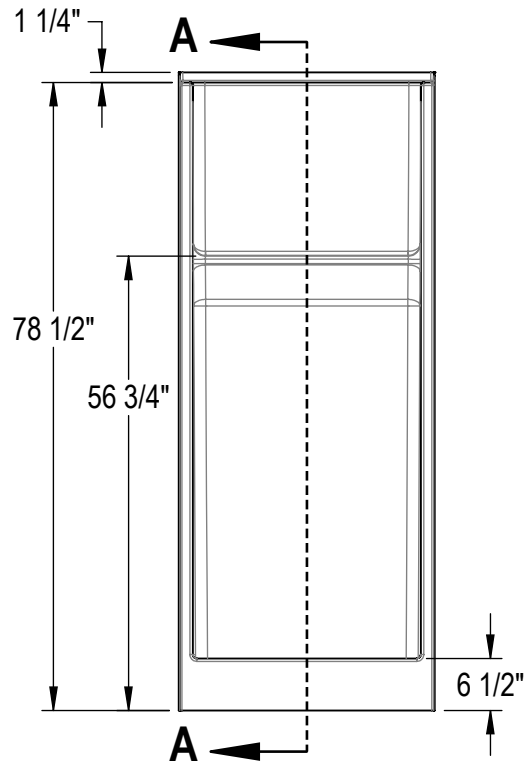
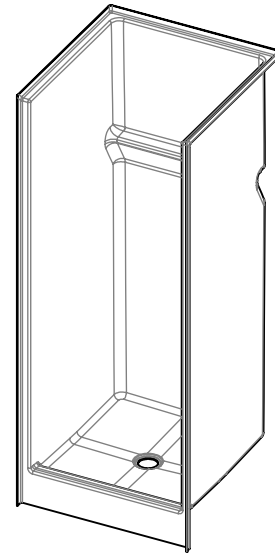
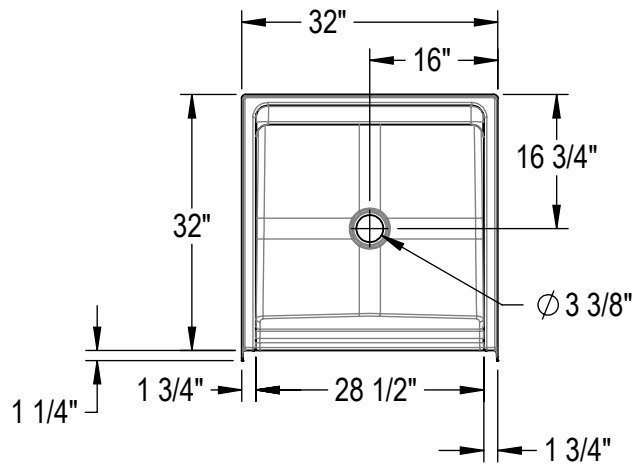


D

C

B

A



D

C

B

A

<b>AMERICAN BATH GROUP</b>						TITLE:															
(Unless otherwise specified)				<table border="1"> <tr> <th>IN</th> <th>MM</th> </tr> <tr> <td>X/X</td> <td>±1/8 ±3</td> </tr> <tr> <td>X.X</td> <td>±0.125 ±3</td> </tr> <tr> <td>X.XX</td> <td>±0.06 ±1.5</td> </tr> <tr> <td>X.XXX</td> <td>±0.031 ±0.79</td> </tr> <tr> <td>X.X*</td> <td>±0.5*</td> </tr> <tr> <td>Inch</td> <td>Max. Radi ±0.015 ±0.035</td> </tr> </table>		IN	MM	X/X	±1/8 ±3	X.X	±0.125 ±3	X.XX	±0.06 ±1.5	X.XXX	±0.031 ±0.79	X.X*	±0.5*	Inch	Max. Radi ±0.015 ±0.035	Model No. SH3232X	
IN	MM																				
X/X	±1/8 ±3																				
X.X	±0.125 ±3																				
X.XX	±0.06 ±1.5																				
X.XXX	±0.031 ±0.79																				
X.X*	±0.5*																				
Inch	Max. Radi ±0.015 ±0.035																				
REV	MODIFICATION DESCRIPTION	BY	DATE	UNIT OF MEASURE:		DRAWN BY	NAME	DATE													
00	New Drawing	PJP	2024-06-24	Inch		P.PRIOR		6/24/24													
						APPROVED BY															
						SHEET 1 OF 1	FORMAT	SCALE: 1:24													
						<b>DWG. # SH3232X-S</b>		REV: 00													