

D

C

B

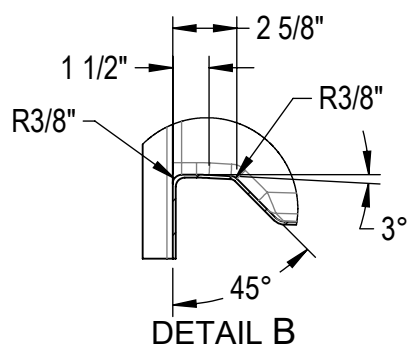
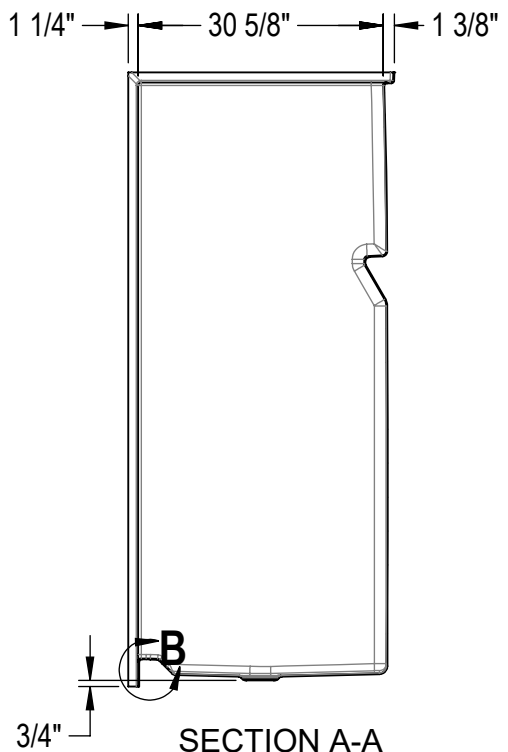
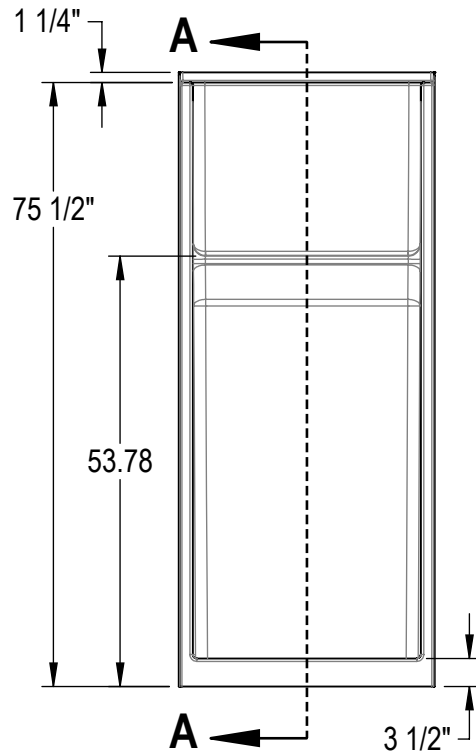
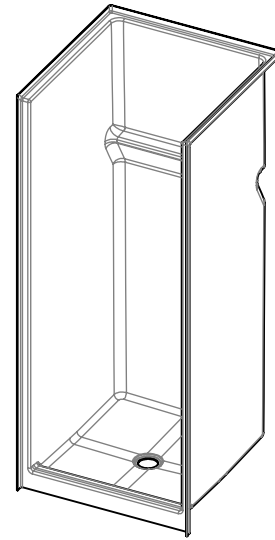
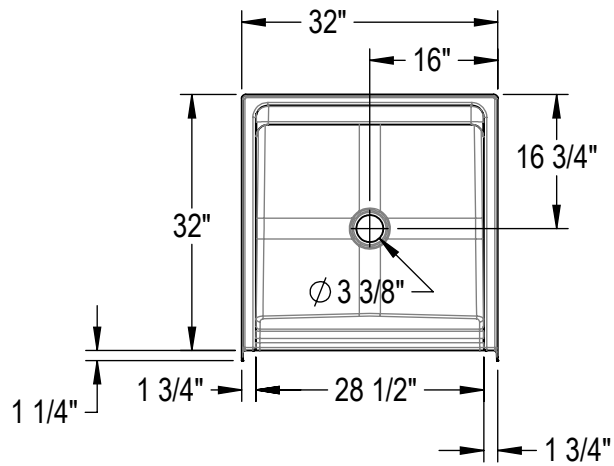
A

D

C

B

A



| | | | | | | | |
|----------------------------|--------------------------|-----|------------|--|--|--|--|
| AMERICAN BATH GROUP | | | | | | TITLE: | |
| | | | | <small>GENERAL TOLERANCES (Unless otherwise specified)</small> | | Model No. SH3232 | |
| REV | MODIFICATION DESCRIPTION | BY | DATE | <small>Only electronic version of this document is controlled.</small> X/X ±1/8 ±3 X.X ±0.125 ±3 X.XX ±0.06 ±1.5 X.XXX ±0.031 ±0.79 X.X* ±0.5* Max. Radi ±0.015 ±0.035 | IN MM ±1/8 ±3 ±0.125 ±3 ±0.06 ±1.5 ±0.031 ±0.79 ±0.5* | DRAWN BY: P.PRIOR | |
| 00 | New Drawing | PJP | 2024-06-24 | | | DATE: 6/24/24 | |
| | | | | UNIT OF MEASURE: Inch Max. Radi ±0.015 ±0.035 | | APPROVED BY: _____ SHEET 1 OF 1 | |
| | | | | DWG. # SH3232-S | | NAME: _____ DATE: _____ FORMAT: A SCALE: 1:24 REV: 00 | |

AMERICAN BATH GROUP, OU ENCORE L'UNE DE SES FILIALES, EST L'UNIQUE PROPRIETAIRE DE CE DOCUMENT ET DES INFORMATIONS CONFIDENTIELLES QUI LE RENFERME. NUL NE PEUT EN FAIRE L'USAGE QUEL QU'EN SOIT L'OBJET. VISE, LES REPRODUIRE OU LES DIVULGUER, SANS LE CONSENTEMENT ECRIT D'EXPLOITATION DE MAX CORPORATION OU DE SA FILIALE APPROPRIEE. THIS DOCUMENT AND THE INFORMATION IT CONTAINS ARE THE EXCLUSIVE PROPERTY OF AMERICAN BATH GROUP OR ANY OF ITS SUBSIDIARIES, AND ARE PROPRIETARY AND CONFIDENTIAL. NEITHER THIS DOCUMENT NOR ANY OF THE INFORMATION CONTAINED IN IT MAY BE USED FOR ANY PURPOSE, NOR REPRODUCED OR DISCLOSED BY YOU TO OTHERS, WITHOUT THE EXPRESS WRITTEN CONSENT OF MAX CORPORATION OR ITS APPROPRIATE SUBSIDIARY.