

# TS6032X – ICON TUB SHOWERS

all dimensions shown in inches

60 x 31 ½ x 75



## FEATURES

- Tub Shower
- Smooth wall finish
- Above floor rough
- Ergonomic backrest
- Ample shelf capacity
- Slip-resistant textured bottom
- Left or right hand drain
- AcrylX™ applied acrylic surface

## OPTIONS

- Factory installed assisted care grab bars
- FHA Reinforcement - For Future Grab Bars
- Full Wall Reinforcement - For Future Grab Bars
- Designer Drain, Waste & Overflow

## CODE COMPLIANCE

- HUD/FHA Design Manual Requirement 6 \*
- CSA B45.5-11/IAPMO Z124

\*When ordered with factory installed reinforcement, product will meet or exceed the minimum coverage area and load requirements of ANSI section 609.8, when grab bars are installed within the reinforced area.

## COLOR & TRIM OPTIONS

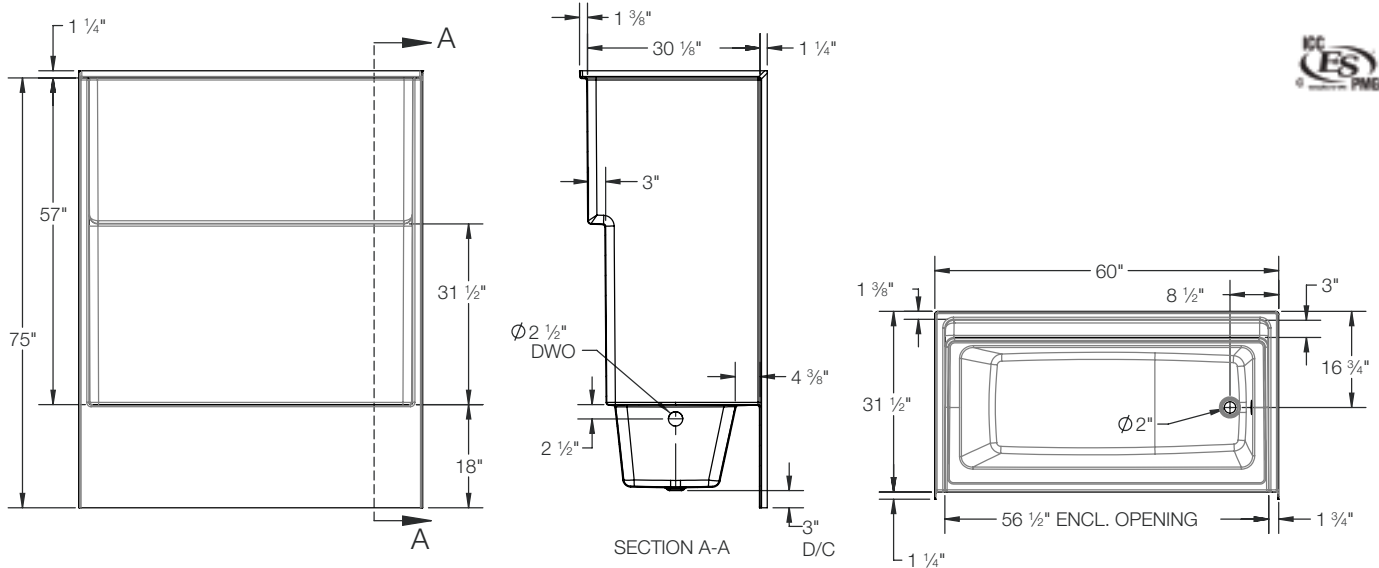
Stock

White



# TS6032X

60 x 31 1/2 x 75 inches



**FEATURES** lbs Dimensional Tolerance  $\pm$  %. Dimensions needed for site preparation should be measured from the unit. Manufacturer assumes no responsibility for preparatory work.

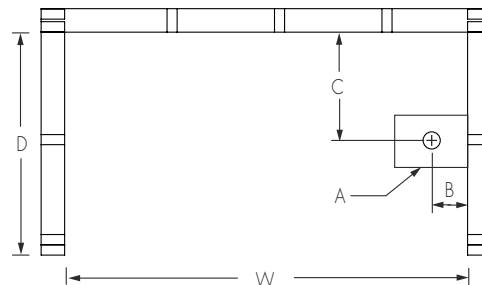
| Model #             | Material | Wall Finish | Jets | Motor | Controls | Drain    | Net Wt. | Pkg. Wt. |
|---------------------|----------|-------------|------|-------|----------|----------|---------|----------|
| Tub Shower #TS6032X | AcrylX™  | Smooth      | -    | -     | -        | LH or RH | 138 lbs | 142 lbs  |

**DIMENSIONS**

| Specifications                  | inches          |
|---------------------------------|-----------------|
| Width: Overall / Net            | 60 / 56 1/2     |
| Depth: Overall / Net            | 32 3/4 / 31 1/2 |
| Height: Overall / Net           | 76 1/4 / 75     |
| Enclosure Opening               | 56 1/2          |
| Skirt Height                    | 18              |
| Drain Rough-In (from Back Wall) | 16 3/4          |
| Drain Rough-In (from Side Wall) | 2 3/4           |
| Drain: Diameter / Clearance     | 2 / 3           |

**FRAMING DIMENSIONS** inches

| Type   | D Depth | W Width | H Height | A       | B     | C      |
|--------|---------|---------|----------|---------|-------|--------|
| Alcove | 32 3/4  | 60 1/4  | -        | Box Out | 2 3/4 | 16 3/4 |



**SUMP DATA**

| Top of Drain to Bottom of Overflow | Capacity to Overflow gal | Min. Operating Capacity gal | WIDTH @ centerline |        | DEPTH @ centerline |        |
|------------------------------------|--------------------------|-----------------------------|--------------------|--------|--------------------|--------|
|                                    |                          |                             | Top                | Bottom | Top                | Bottom |
| 10 %                               | 37.1                     | -                           | 50 7/8             | 44 7/8 | 20 7/8             | 17 7/8 |