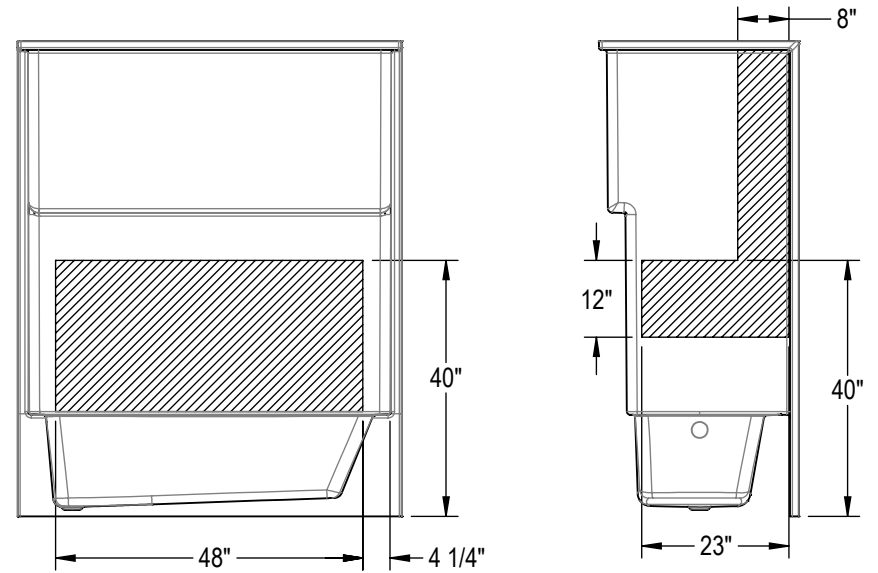
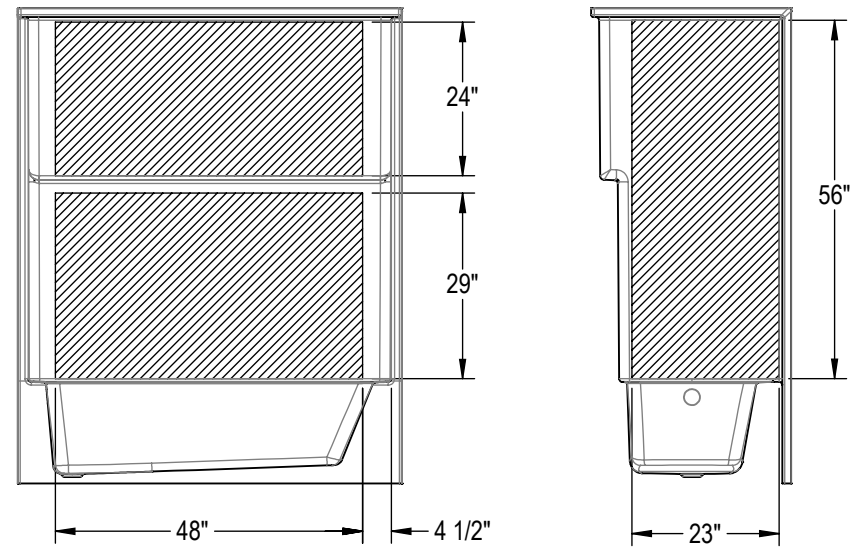


Builder Backing Reinforcement Option



Full Wall Reinforcement Option



All dimensions are approximate. Structure measurements must be verified against the unit to ensure proper fit.