

KDTS 3060 AcrylX™ Alcove 4-Piece Tub Shower

Dimensions: 59 7/8" W x 30 1/8" D x 77 1/2" H

Installation: Alcove | **Material:** AcrylX™



STANDARD FEATURES

- 4-piece tub shower with AcrylX™ finish & PIN system for easy front installation
- Bottom bathing well:
44 1/8" L x 20" W
- Optional unique feature:
reinforced walls

PRODUCT CHARACTERISTICS

- Multi-Piece Unit
- Easy Installation
- PIN system

CERTIFICATIONS

Salomfg products adhere to one or more of the following certifications:



STANDARD COLORS



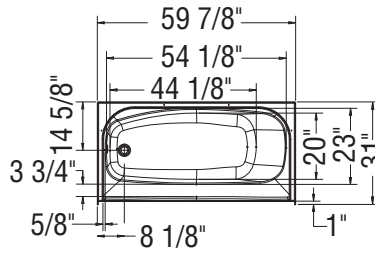
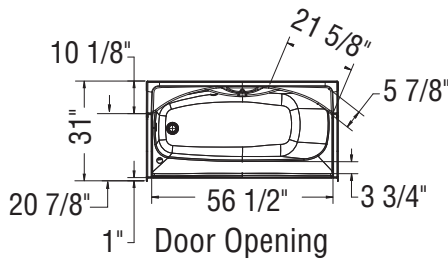
White



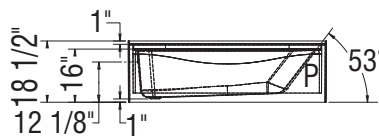
KDTS 3060 AcrylX™ Alcove 4-Piece Tub Shower

Dimensions: 59 7/8" W x 30 1/8" D x 77 1/2" H

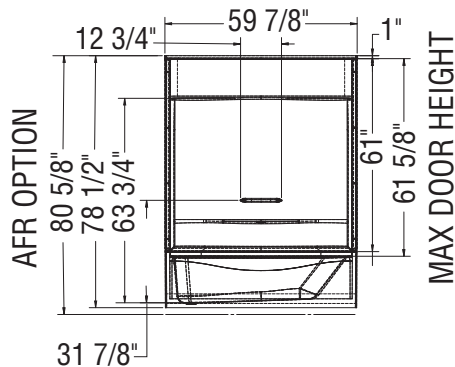
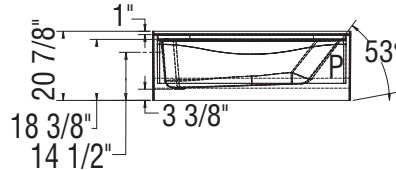
STANDARD



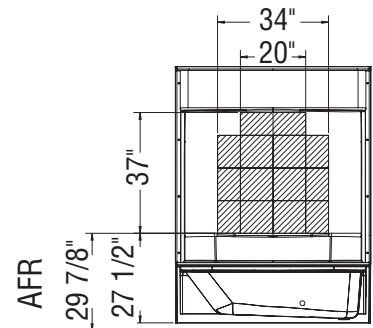
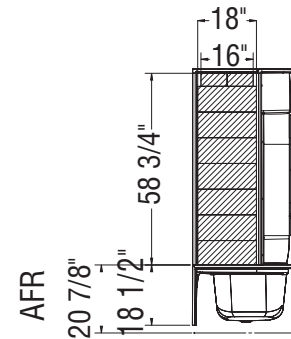
NOT ABOVE-THE-FLOOR



ABOVE-THE-FLOOR



REINFORCEMENT BACKING



FEATURES Dimensional Tolerance $\pm 3/8"$. Dimensions needed for site preparation should be measured from the unit. Salo assumes no responsibility for preparatory work.

Water Capacity	Weight	Deep Sump Height	Pieces	Drain location
37.2 gallons - 169 liters	152 lbs - 69 kg	14 3/8" - 365 mm	4	Left or Right

DIMENSIONS

Specifications	inches
Width:	59 7/8"
Height:	77 1/2"
Depth:	30 1/8"