

Model T160-30 ES

inches

Exterior Dimensions: 60 W x 31 ¼ D x 75 ¼ H

Door Opening: 55 ½ W x 56 ½ H



FEATURES

- One-Piece Fiberglass Composite Unit
- Smooth-Wall Pattern
- 17 ½" Threshold
- 2" LH or RH Drain Location
- Two Elevated Soap Ledges
- Textured Non-Skid Floor
- Wood Reinforced Floor Structure
- Note: Above Floor Rough-In Model of T160-30

OPTIONS

- Dome Available
- LH or RH Plumbing Available
- Enhanced Reinforcement Options Available
- Factory Installed Seat Options Available
- Factory Installed Plumbing Fixture Package Available
- Unlimited Solid Color Options Available

STANDARDS AND RATINGS

- ANSI Z 124
- HUD Bulletin 73A

Code compliant when fully equipped and installed according to guidelines.

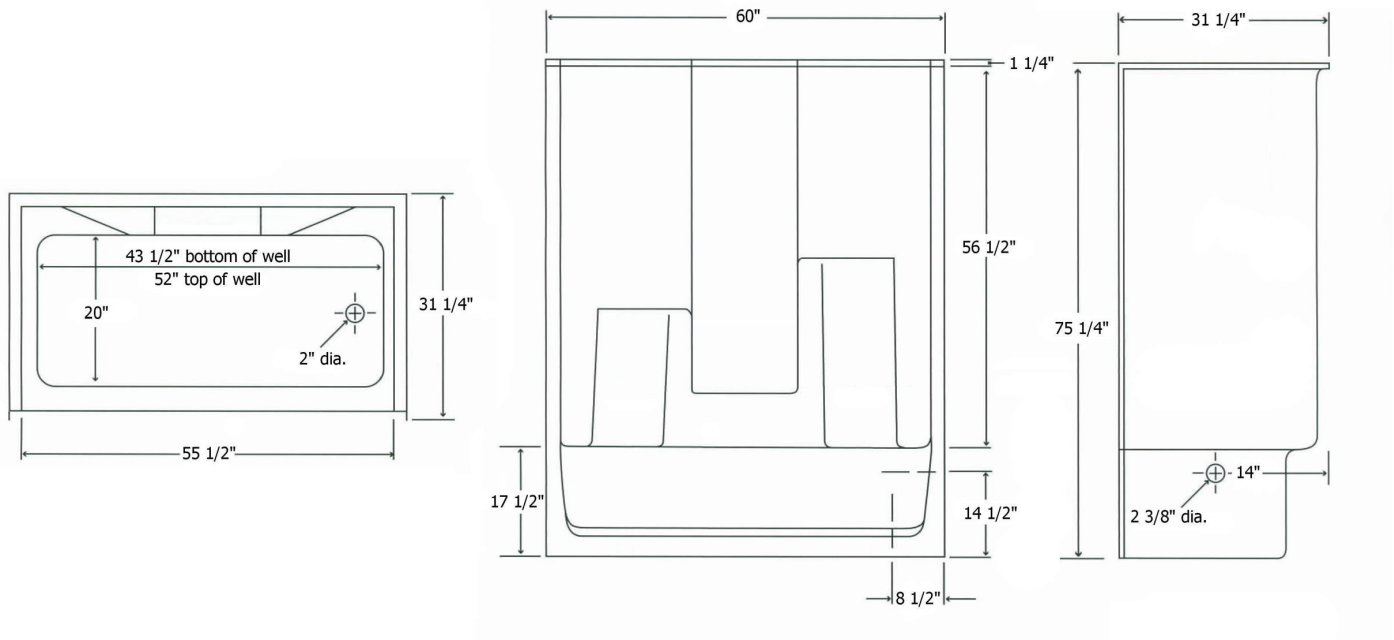
All dimensions may vary.

*See terms and conditions for details.



Model T160-30 ES

Exterior Dimensions: 60 W x 31 1/4 D x 75 1/4 H
inches



FEATURES Dimensional Tolerance $\pm \frac{3}{16}$ ". Dimensions needed for site preparation should be measured from the unit. American Bath Group assumes no responsibility for preparatory work.

Type and Model #	Material	Wall Finish	Pieces	Pkg. Wt. lbs
Shower Model T160-30 ES	Fiberglass Composite	Smooth	1	247

DIMENSIONS

Specifications	inches
Width:	60
Height:	75 1/4
Depth:	31 1/4