

Model T160-30H

inches

Exterior Dimensions: 60 W x 31 1/4 D x 76 3/4 H



FEATURES

- One-Piece Fiberglass Composite Unit
- Smooth-Wall Pattern
- 19" Threshold
- 2" LH or RH Drain Location
- Textured Non-Skid Floor
- Wood Reinforced Floor Structure
- Wood Reinforced For Seat and Grab Bar Installation

OPTIONS

- LH or RH Plumbing Available
- Enhanced Reinforcement Options Available
- Factory Installed Grab Bar Options Available
- Factory Installed Seat Options Available
- Factory Installed Plumbing Fixture Package Available
- Factory Installed Curtain Rod Available
- Unlimited Solid Color Options Available

STANDARDS AND RATINGS

- ANSI Z 124
- HUD Bulletin 73A

Code compliant when fully equipped and installed according to guidelines.

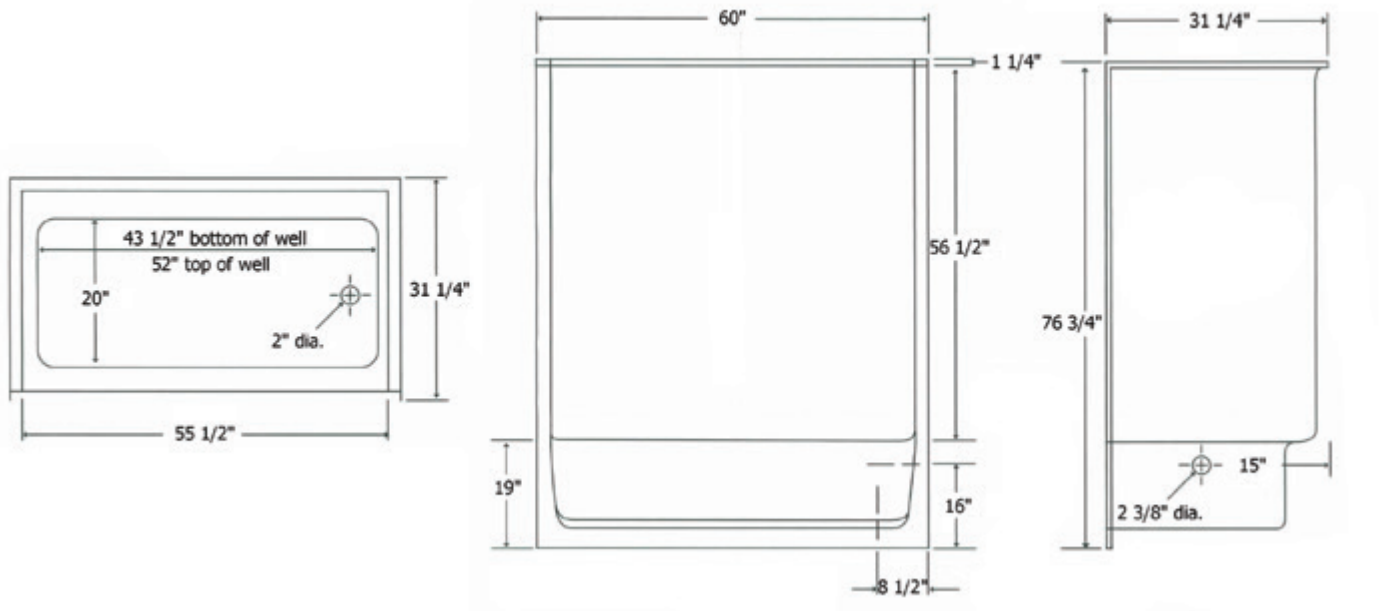
All dimensions may vary.

*See terms and conditions for details.



Model T160-30H

Exterior Dimensions: 60 W x 31 ¼ D x 76 ¾ H
inches



FEATURES Dimensional Tolerance \pm $\frac{1}{8}$ ". Dimensions needed for site preparation should be measured from the unit. American Bath Group assumes no responsibility for preparatory work.

Type and Model #	Material	Wall Finish	Pieces	Pkg. Wt. lbs
Model T160-30H	Fiberglass Composite	Smooth	1	247

DIMENSIONS

Specifications	inches
Width:	60
Height:	76 ¾
Depth:	31 ¼