

# Model 48x36 Pan

inches

Exterior Dimensions: 48 W x 37  $\frac{3}{4}$  D x 8  $\frac{1}{2}$  H



## FEATURES

- One-Piece Fiberglass Composite Unit
- 6  $\frac{1}{4}$ " Threshold
- 3  $\frac{1}{4}$ " Center Drain
- Vertical Tile Flange
- Textured Non-Skid Floor
- Wood Reinforced Floor Structure

## OPTIONS

- Unlimited Solid Color Options Available

## STANDARDS AND RATINGS

- ANSI Z 124
- HUD Bulletin 73A

Code compliant when fully equipped and installed according to guidelines.

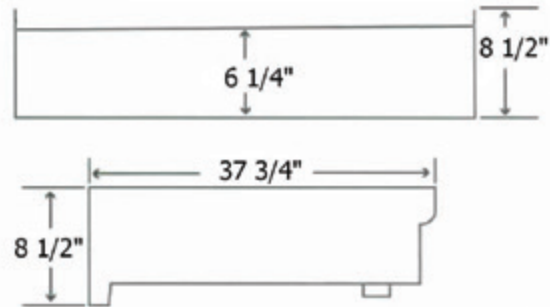
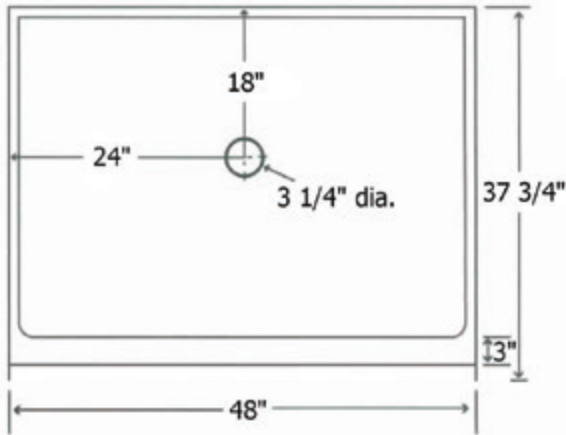
All dimensions may vary.

\*See terms and conditions for details.



# Model 48x36 Pan

Exterior Dimensions: 48 W x 37 ¾ D x 8 ½ H  
inches



**FEATURES** Dimensional Tolerance  $\pm$  3/8". Dimensions needed for site preparation should be measured from the unit. American Bath Group assumes no responsibility for preparatory work.

Type and Model #	Material	Wall Finish	Pieces	Pkg. Wt. lbs
Model 48x36 Pan	Fiberglass Composite	Smooth	1	247

## DIMENSIONS

Specifications	inches
Width:	48
Height:	8 ½
Depth:	37 ¾