

Model SED6034 Base

inches

Exterior Dimensions: 60 W x 35 D x 24 1/4 H



FEATURES

- One-Piece Fiberglass Composite Unit
- 4 1/4" Threshold
- 3 1/4" LH or RH Drain Location
- LH or RH Molded Seat
- Vertical Tile Flange
- Textured Non-Skid Floor
- Wood Reinforced Floor Structure

OPTIONS

- LH or RH Plumbing(seat located on opposite wall); or No Seat
- Unlimited Solid Color Options Available

STANDARDS AND RATINGS

- ANSI Z 124
- HUD Bulletin 73A

Code compliant when fully equipped and installed according to guidelines.

All dimensions may vary.

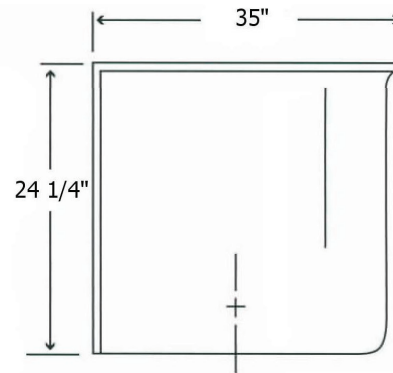
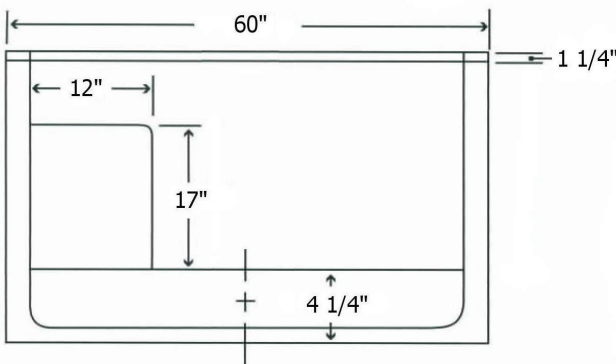
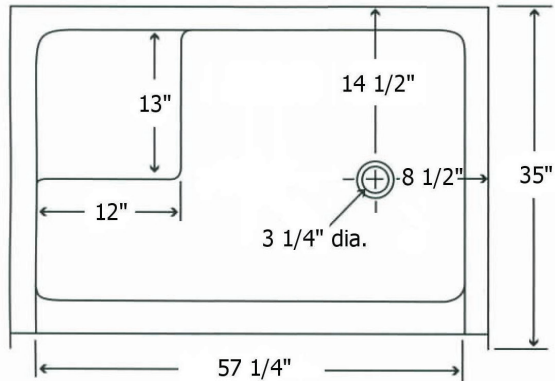
*See terms and conditions for details.



Model SED6034 Base

Exterior Dimensions: 60 W x 35 D x 24 1/4 H

inches



FEATURES Dimensional Tolerance $\pm \frac{3}{16}$ ". Dimensions needed for site preparation should be measured from the unit. American Bath Group assumes no responsibility for preparatory work.

Type and Model #	Material	Wall Finish	Pieces	Pkg. Wt. lbs
Model SED6034 Base	Fiberglass Composite	Smooth	1	247

DIMENSIONS

Specifications	inches
Width:	60
Height:	24 1/4
Depth:	35