

Model SED 160-30

inches

Exterior Dimensions: 60 W x 31 ½ D x 78 ¾ H

Door Opening: 57 ¼ W x 73 H



FEATURES

- One-Piece Fiberglass Composite Unit
- Smooth-Wall Pattern
- 4 ¼" Threshold
- 3 ¼" LH or RH Drain Location
- Two Elevated Soap Ledges
- One LH or RH Molded Seat (seat located opposite plumbing)
- Textured Non-Skid Floor
- Wood Reinforced Floor Structure

OPTIONS

- LH or RH Plumbing Available (seat located on opposite wall)
- Enhanced Reinforcement Options Available
- Factory Installed Grab Bar Options Available
- Factory Installed Plumbing Fixture Package Available
- Unlimited Solid Color Options Available

STANDARDS AND RATINGS

- ANSI Z 124
- HUD Bulletin 73A

Code compliant when fully equipped and installed according to guidelines.

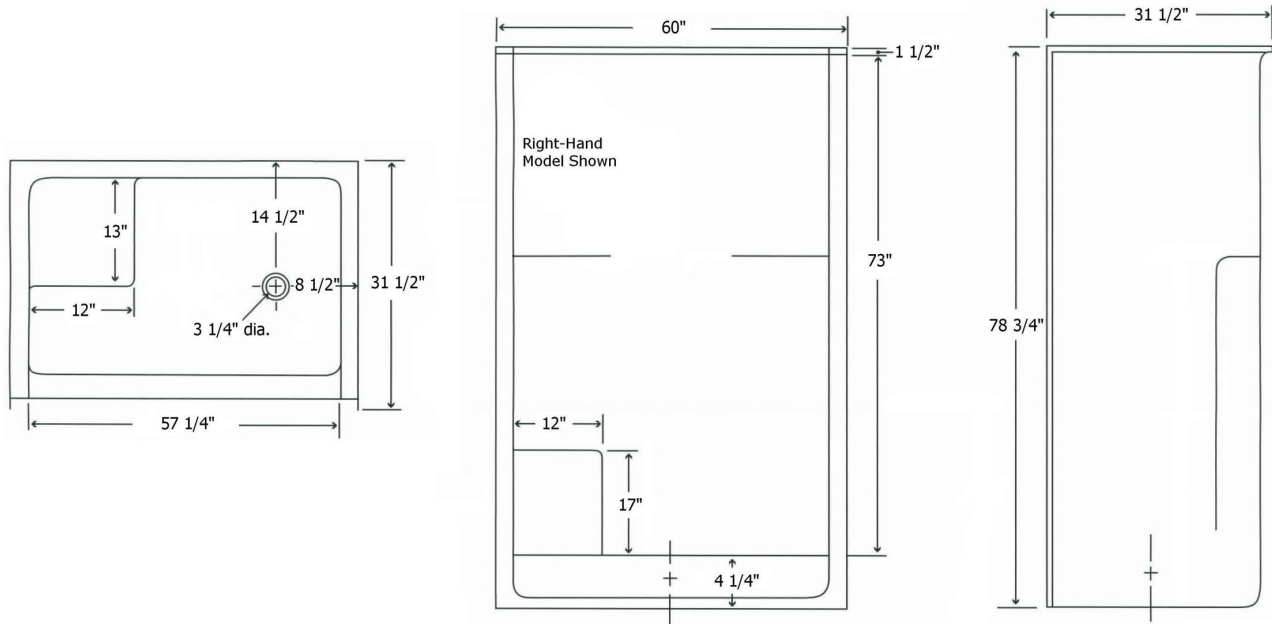
All dimensions may vary.

*See terms and conditions for details.



Model SED 160-30

Exterior Dimensions: 60 W x 31 1/2 D x 78 3/4 H
inches



FEATURES Dimensional Tolerance $\pm \frac{3}{16}$ ". Dimensions needed for site preparation should be measured from the unit. American Bath Group assumes no responsibility for preparatory work.

Type and Model #	Material	Wall Finish	Pieces	Pkg. Wt. lbs
Shower Model SED 160-30	Fiberglass Composite	Smooth	1	247

DIMENSIONS

Specifications	inches
Width:	60
Height:	78 3/4
Depth:	31 1/2