

Model S360-36

inches

Exterior Dimensions: 60 W x 36 D x 80 ³/₄ H

Door Opening: 57 ¹/₁₆ W x 73 ¹/₄ H



FEATURES

- Three-Piece Fiberglass Composite Unit
- Smooth-Wall Pattern
- 6 ¹/₄" Threshold
- 3 ¹/₄" Center Drain Location
- Two Elevated Soap Ledges
- One LH or RH Molded Seat (seat located opposite plumbing)
- Textured Non-Skid Floor
- Wood Reinforced Floor Structure

OPTIONS

- Dome Available
- LH or RH Plumbing Available (seat located on opposite wall)
- Enhanced Reinforcement Options Available
- Factory Installed Grab Bar Options Available
- Factory Installed Plumbing Fixture Package Available
- Unlimited Solid Color Options Available

STANDARDS AND RATINGS

- ANSI Z 124
- HUD Bulletin 73A

Code compliant when fully equipped and installed according to guidelines.

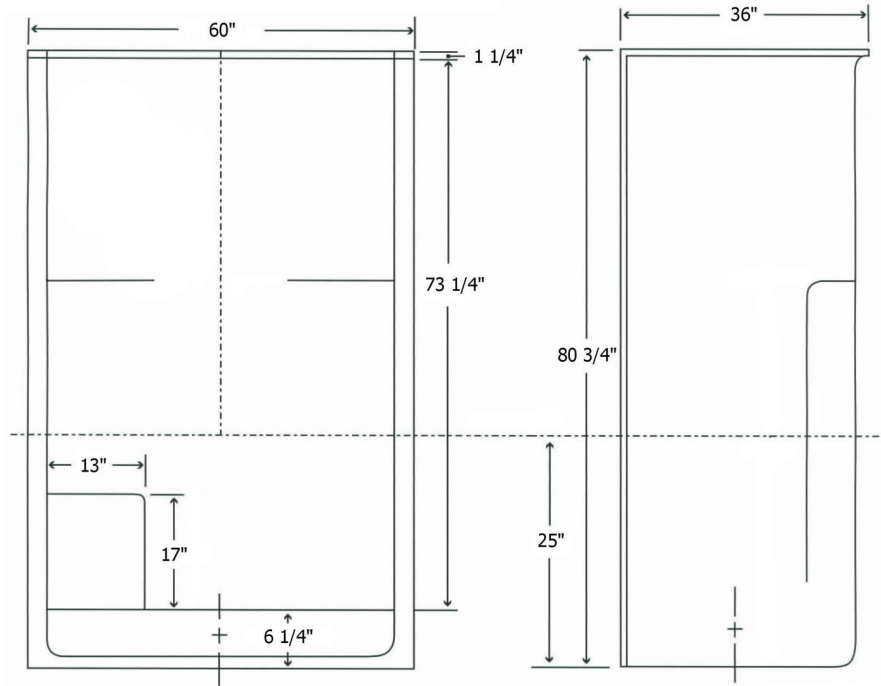
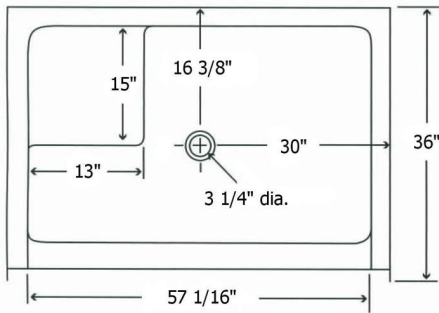
All dimensions may vary.

*See terms and conditions for details.



Model S360-36

Exterior Dimensions: 60 W x 36 D x 80 ¾ H
inches



FEATURES Dimensional Tolerance $\pm \frac{3}{16}$ ". Dimensions needed for site preparation should be measured from the unit. American Bath Group assumes no responsibility for preparatory work.

Type and Model #	Material	Wall Finish	Pieces	Pkg. Wt. lbs
Model S360-36	Fiberglass Composite	Smooth	3	247

DIMENSIONS

Specifications	inches
Width:	60
Height:	80 ¾
Depth:	36

Rev. 06.08.22