

Model S160-72-38-2/S

inches

Exterior Dimensions: 60 W x 38 D x 72 ³/₄ H

Door Opening: 56 W x 64 ¹/₄ H



FEATURES

- One-Piece Fiberglass Composite Unit
- Smooth-Wall Pattern
- 7 ¹/₄" Threshold
- 3 ¹/₄" Center Drain Location
- Full Length Elevated Soap Ledge
- Two Molded Seats
- Textured Non-Skid Floor
- Wood Reinforced Floor Structure

OPTIONS

- Dome Available
- Enhanced Reinforcement Options Available
- Factory Installed Grab Bar Options Available
- Factory Installed Plumbing Fixture Package Available
- Unlimited Solid Color Options Available

STANDARDS AND RATINGS

- ANSI Z 124
- HUD Bulletin 73A

Code compliant when fully equipped and installed according to guidelines.

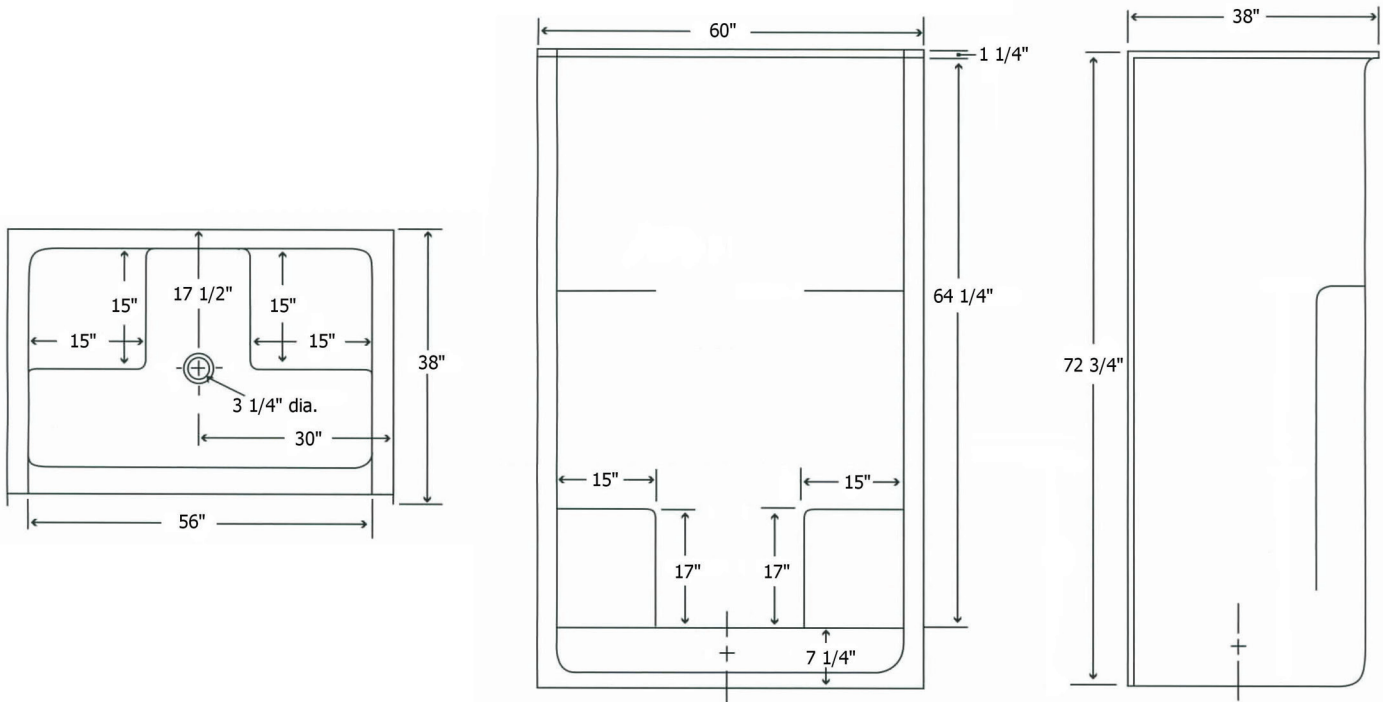
All dimensions may vary.

*See terms and conditions for details.



Model S160-72-38-2/S

Exterior Dimensions: 60 W x 38 D x 72 ¾ H
inches



FEATURES Dimensional Tolerance ± 3/8". Dimensions needed for site preparation should be measured from the unit. American Bath Group assumes no responsibility for preparatory work.

Type and Model #	Material	Wall Finish	Pieces	Pkg. Wt. lbs
Shower Model S160-72-38-2/S	Fiberglass Composite	Smooth	1	247

DIMENSIONS

Specifications	inches
Width:	60
Height:	72 ¾
Depth:	38

Rev. 06.08.22