

# Model Oval Tub

inches

Exterior Dimensions: 63 ½ W x 45 ¾ D x 18 ½ H



## FEATURES

- One-Piece Fiberglass Composite Unit
- Smooth-Wall Pattern
- Drop-In Unit
- 2" LH or RH Drain Location
- Extra-Deep Bathing Well
- Compatible for Future Air/Water Jet Installation
- Textured Non-Skid Floor
- Wood Reinforced Floor Structure

## OPTIONS

- LH or RH Plumbing Available
- Unlimited Solid Color Options Available

## STANDARDS AND RATINGS

- ANSI Z 124
- HUD Bulletin 73A

Code compliant when fully equipped and installed according to guidelines.

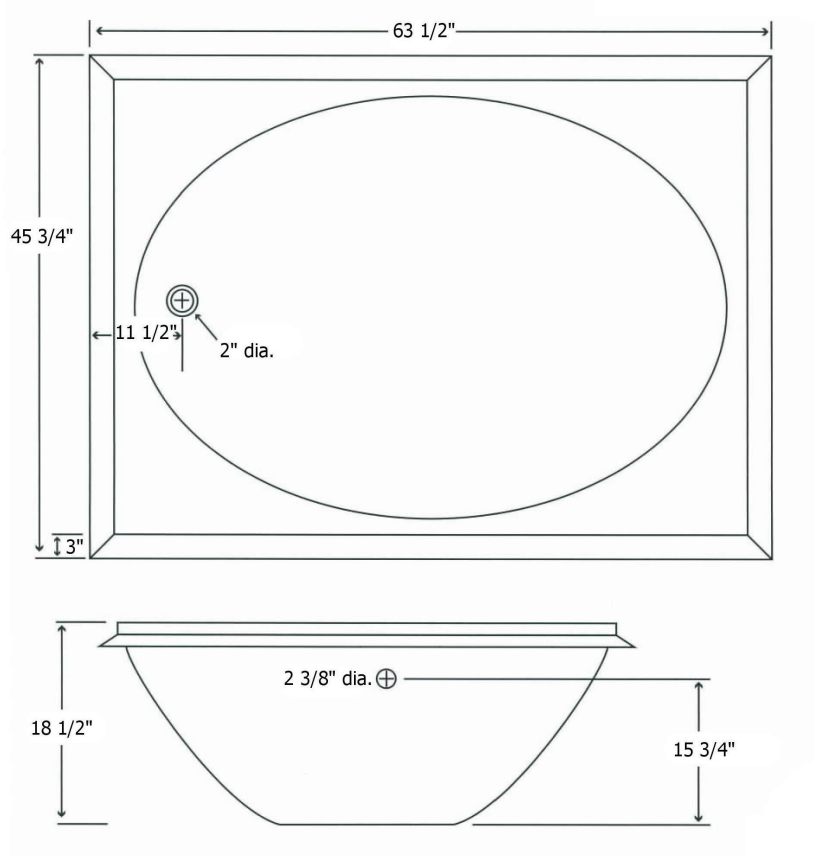
All dimensions may vary.

\*See terms and conditions for details.



# Model Oval Tub

Exterior Dimensions: 63 1/2 W x 45 3/4 D x 18 1/2 H  
inches



**FEATURES** Dimensional Tolerance  $\pm \frac{1}{8}$ ". Dimensions needed for site preparation should be measured from the unit. American Bath Group assumes no responsibility for preparatory work.

Type and Model #	Material	Wall Finish	Pieces	Pkg. Wt. lbs
Model Oval Base	Fiberglass Composite	Smooth	1	247

## DIMENSIONS

Specifications	inches
Width:	63 1/2
Height:	18 1/2
Depth:	45 3/4