

# Model 38 NEO Pan

inches

Exterior Dimensions: 39 1/2 W x 39 1/2 D x 8 H



## FEATURES

- One-Piece Fiberglass Composite Unit
- 7" Threshold
- 3 1/4" Center Drain
- Vertical Tile Flange
- Space Saving Design
- Textured Non-Skid Floor
- Wood Reinforced Floor Structure

## OPTIONS

- Unlimited Solid Color Options Available

## STANDARDS AND RATINGS

- ANSI Z 124
- HUD Bulletin 73A

Code compliant when fully equipped and installed according to guidelines.

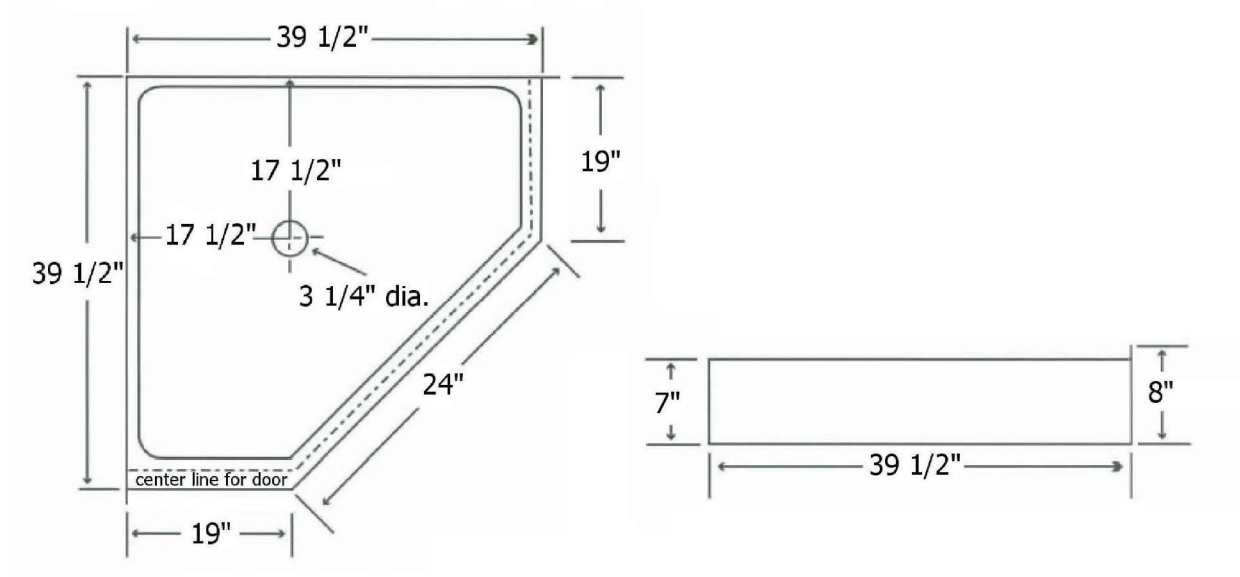
All dimensions may vary.

\*See terms and conditions for details.



# Model 38 NEO Pan

Exterior Dimensions: 39 1/2 W x 39 1/2 D x 8 H  
inches



**FEATURES** Dimensional Tolerance  $\pm \frac{3}{16}$ ". Dimensions needed for site preparation should be measured from the unit. American Bath Group assumes no responsibility for preparatory work.

Type and Model #	Material	Wall Finish	Pieces	Pkg. Wt. lbs
Model 38 NEO Pan	Fiberglass Composite	Smooth	1	247

## DIMENSIONS

Specifications	inches
Width:	39 1/2
Height:	8
Depth:	39 1/2