

Model 36x36 2S Pan

inches

Exterior Dimensions: 36 W x 36 D x 6 H



FEATURES

- One-Piece Fiberglass Composite Unit
- Smooth Wall Pattern
- 5" Threshold
- Double Threshold
- 3 1/4" Center Drain
- Vertical Tile Flange
- Space Saving Design
- Textured Non-Skid Floor
- Wood Reinforced Floor Structure

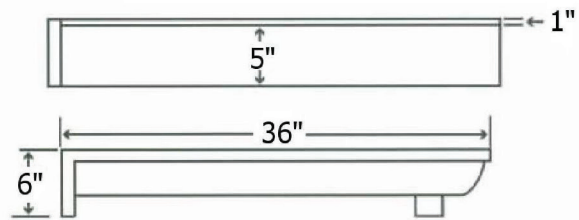
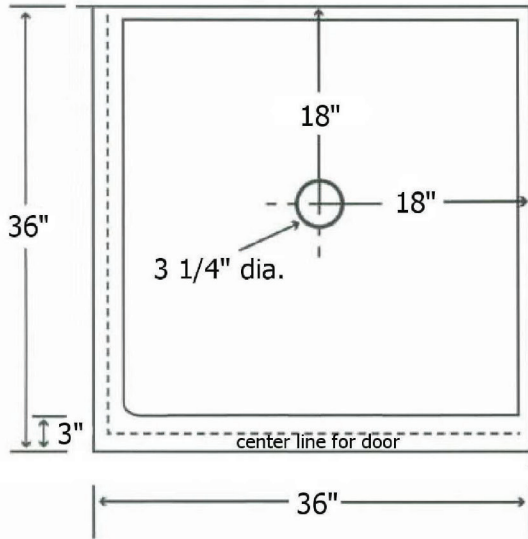
OPTIONS

- Unlimited Solid Color Options Available



Model 36x36 2S Pan

Exterior Dimensions: 36 W x 36 D x 6 H
inches



FEATURES Dimensional Tolerance $\pm \frac{3}{16}$ ". Dimensions needed for site preparation should be measured from the unit. American Bath Group assumes no responsibility for preparatory work.

Type and Model #	Material	Wall Finish	Pieces	Pkg. Wt. lbs
Model 36x36 2S Pan	Fiberglass Composite	Smooth	1	247

DIMENSIONS

Specifications	inches
Width:	36
Height:	6
Depth:	36

Rev. 06.08.22