

Model 36 Dome

inches

Exterior Dimensions: 35 $\frac{3}{4}$ W x 35 $\frac{1}{2}$ D x 4 $\frac{5}{8}$ H



FEATURES

- One-Piece Fiberglass Composite Unit
- Smooth Wall Pattern
- Fits Salo Model(s) 136, 136-72, 336

OPTIONS

- Unlimited Solid Color Options Available

All dimensions may vary.

*See terms and conditions for details.

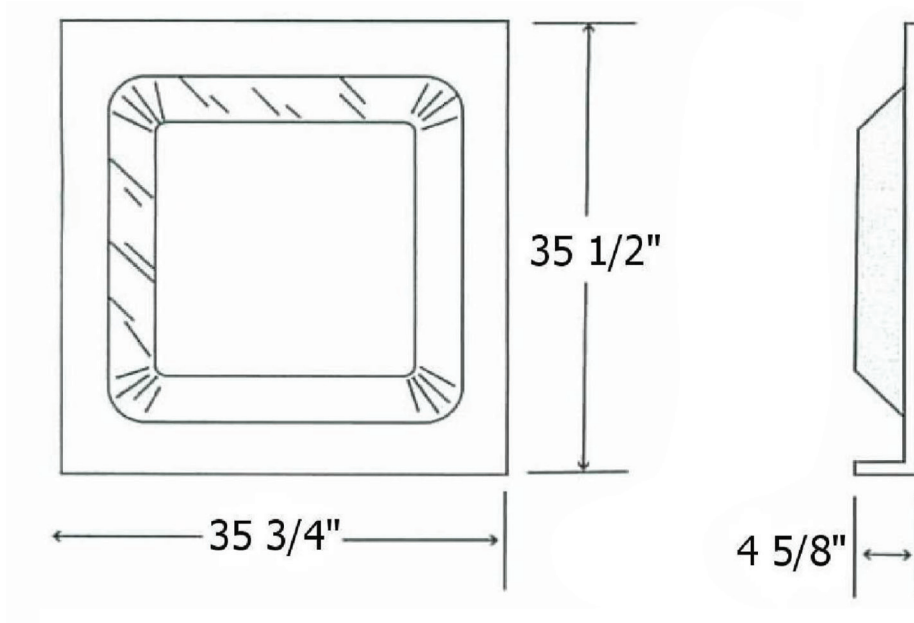
All dimensions may vary.

*See terms and conditions for details.



Model 36 Dome

Exterior Dimensions: 35 ¾ W x 35 ½ D x 4 ⅝ H
inches



FEATURES Dimensional Tolerance ± ⅜". Dimensions needed for site preparation should be measured from the unit. American Bath Group assumes no responsibility for preparatory work.

Type and Model #	Material	Wall Finish	Pieces	Pkg. Wt. lbs
Model 36 Dome	Fiberglass Composite	Smooth	1	247

DIMENSIONS

Specifications	inches
Width:	35 ¾
Height:	4 ⅝
Depth:	35 ½

Rev. 06.08.22