

Model 162-30HBF

inches

Exterior Dimensions: 62 W x 33 D x 78 7/8 H



FEATURES

- One-Piece Fiberglass Composite Unit
- Smooth-Wall Pattern
- 3/4" Overall Threshold
- 3 1/4" Center Drain
- ADA Compliant
- Barrier-Free When Properly Installed
- Textured Non-Skid Floor
- Wood Reinforced Floor Structure
- Wood Reinforced For Seat and Grab Bar Installation

OPTIONS

- LH or RH Plumbing Available
- Enhanced Reinforcement Options Available
- Factory Installed Grab Bar Options Available
- Factory Installed Seat Options Available
- Factory Installed Plumbing Fixture Package Available
- Factory Installed Curtain Rod Available
- Unlimited Solid Color Options Available

STANDARDS AND RATINGS

- ANSI Z 124
- HUD Bulletin 73A

Code compliant when fully equipped and installed according to guidelines.

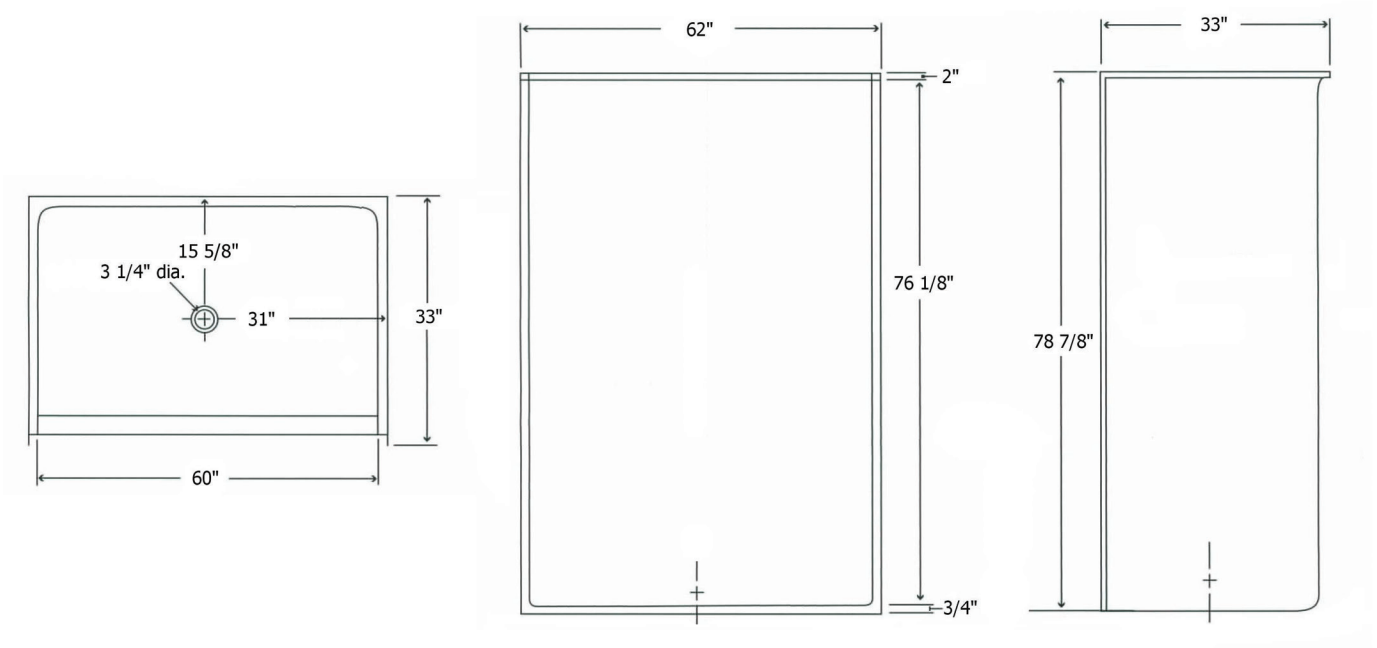
All dimensions may vary.

*See terms and conditions for details.



Model 162-30HBF

Exterior Dimensions: 62 W x 33 D x 78 7/8 H
inches



FEATURES Dimensional Tolerance $\pm \frac{3}{16}$ ". Dimensions needed for site preparation should be measured from the unit. American Bath Group assumes no responsibility for preparatory work.

Type and Model #	Material	Wall Finish	Pieces	Pkg. Wt. lbs
Model 162-30HBF	Fiberglass Composite	Smooth	1	247

DIMENSIONS

Specifications	inches
Width:	62
Height:	78 7/8
Depth:	33