

Model 148-72

inches

Exterior Dimensions: 48 W x 36 D x 72 ³/₄ H

Door Opening: 45 W x 65 H



FEATURES

- One-Piece Fiberglass Composite Unit
- Smooth-Wall Pattern
- 6 1/2" Threshold
- 3 1/4" Center Drain
- Two Elevated Soap Ledges
- One Molded Seat on LH or RH Models
- No Seat Model Available
- Textured Non-Skid Floor
- Wood Reinforced Floor Structure

OPTIONS

- Dome Available
- LH or RH Plumbing Available (seat located on opposite wall) or No Seat
- Enhanced Reinforcement Options Available
- Factory Installed Grab Bar Options Available
- Factory Installed Seat Options Available
- Factory Installed Plumbing Fixture Package Available
- Unlimited Solid Color Options Available

STANDARDS AND RATINGS

- ANSI Z 124
- HUD Bulletin 73A

Code compliant when fully equipped and installed according to guidelines.

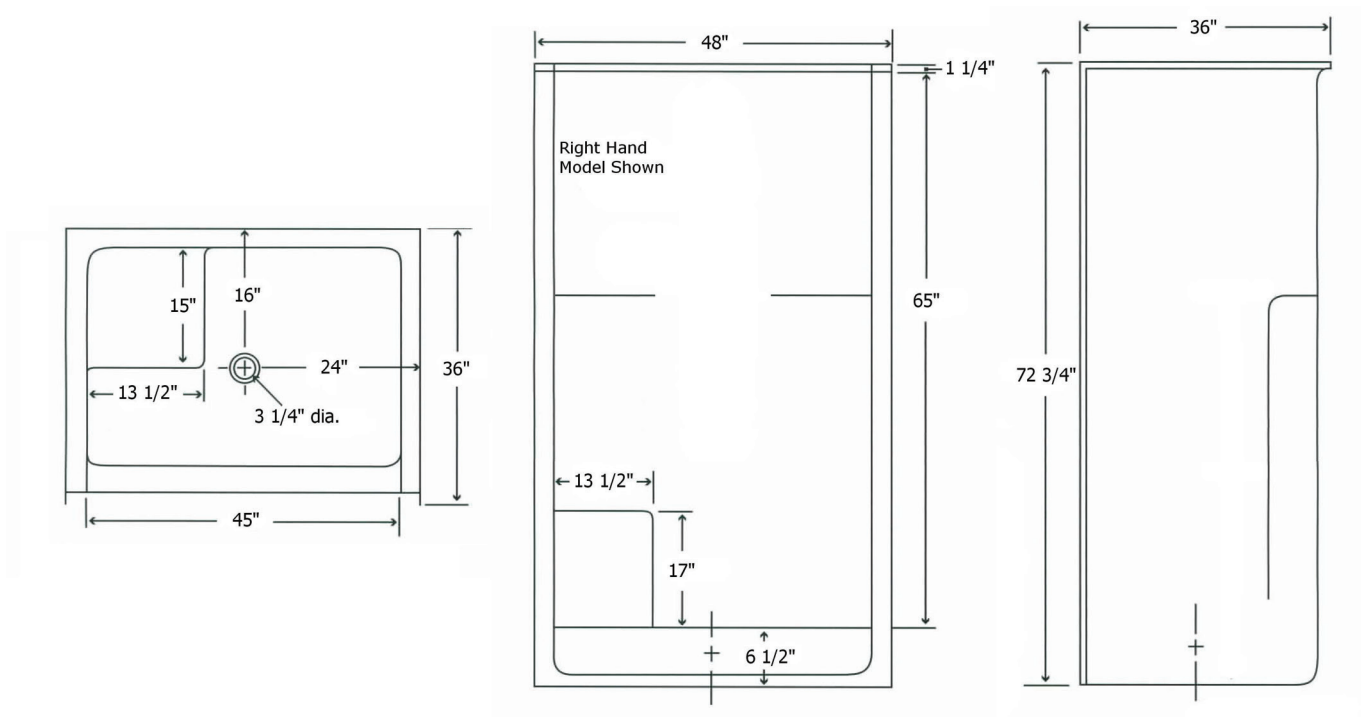
All dimensions may vary.

*See terms and conditions for details.



Model 148-72

Exterior Dimensions: 48 W x 36 D x 72 ¾ H
inches



FEATURES Dimensional Tolerance ± 3/16". Dimensions needed for site preparation should be measured from the unit. American Bath Group assumes no responsibility for preparatory work.

Type and Model #	Material	Wall Finish	Pieces	Pkg. Wt. lbs
Shower Model 148-72	Fiberglass Composite	Smooth	1	247

DIMENSIONS

Specifications	inches
Width:	48
Height:	72 ¾
Depth:	36

Rev. 06.08.22