

Model 148-32

inches

Exterior Dimensions: 48 W x 32 D x 80 ¾ H

Door Opening: 45 W x 73 H



FEATURES

- One-Piece Fiberglass Composite Unit
- Smooth-Wall Pattern
- 6 ½" Threshold
- 3 ¼" Center Drain
- Two Elevated Soap Ledges
- One Molded Seat
- Textured Non-Skid Floor
- Wood Reinforced Floor Structure

OPTIONS

- Available in LH or RH Plumbing Only (seat located on opposite wall)
- Enhanced Reinforcement Options Available
- Factory Installed Grab Bar Options Available
- Factory Installed Plumbing Fixture Package Available
- Unlimited Solid Color Options Available

STANDARDS AND RATINGS

- ANSI Z 124
- HUD Bulletin 73A

Code compliant when fully equipped and installed according to guidelines.

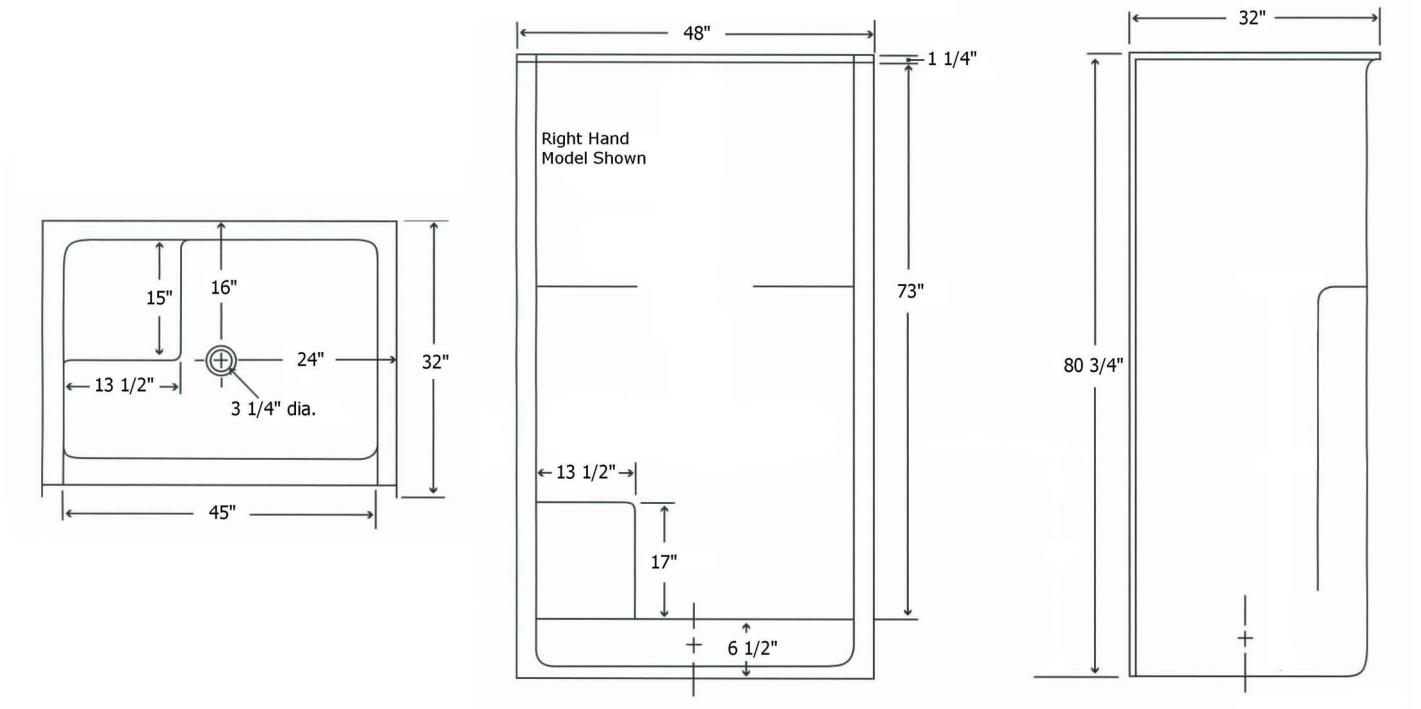
All dimensions may vary.

*See terms and conditions for details.



Model 148-32

Exterior Dimensions: 48 W x 32 D x 80 ¾ H
inches



FEATURES Dimensional Tolerance $\pm \frac{3}{16}$ ". Dimensions needed for site preparation should be measured from the unit. American Bath Group assumes no responsibility for preparatory work.

Type and Model #	Material	Wall Finish	Pieces	Pkg. Wt. lbs
Shower Model 148-32	Fiberglass Composite	Smooth	1	247

DIMENSIONS

Specifications	inches
Width:	48
Height:	80 ¾
Depth:	32