

Model 138H

inches

Exterior Dimensions: 38 ¼ W x 38 ¾ D x 78 H



FEATURES

- One-Piece Fiberglass Composite Unit
- Smooth-Wall Pattern
- 1 ¾" Front Threshold; ½" Interior Threshold
- 3 ¼" Center Drain
- Barrier-Free When Properly Installed
- Textured Non-Skid Floor
- Wood Reinforced Floor Structure
- Wood Reinforced For Seat and Grab Bar Installation

OPTIONS

- LH or RH Plumbing Available
- Enhanced Reinforcement Options Available
- Factory Installed Grab Bar Options Available
- Factory Installed Seat Options Available
- Factory Installed Plumbing Fixture Package Available
- Factory Installed Curtain Rod Available
- Unlimited Solid Color Options Available

STANDARDS AND RATINGS

- ANSI Z 124
- HUD Bulletin 73A

Code compliant when fully equipped and installed according to guidelines.

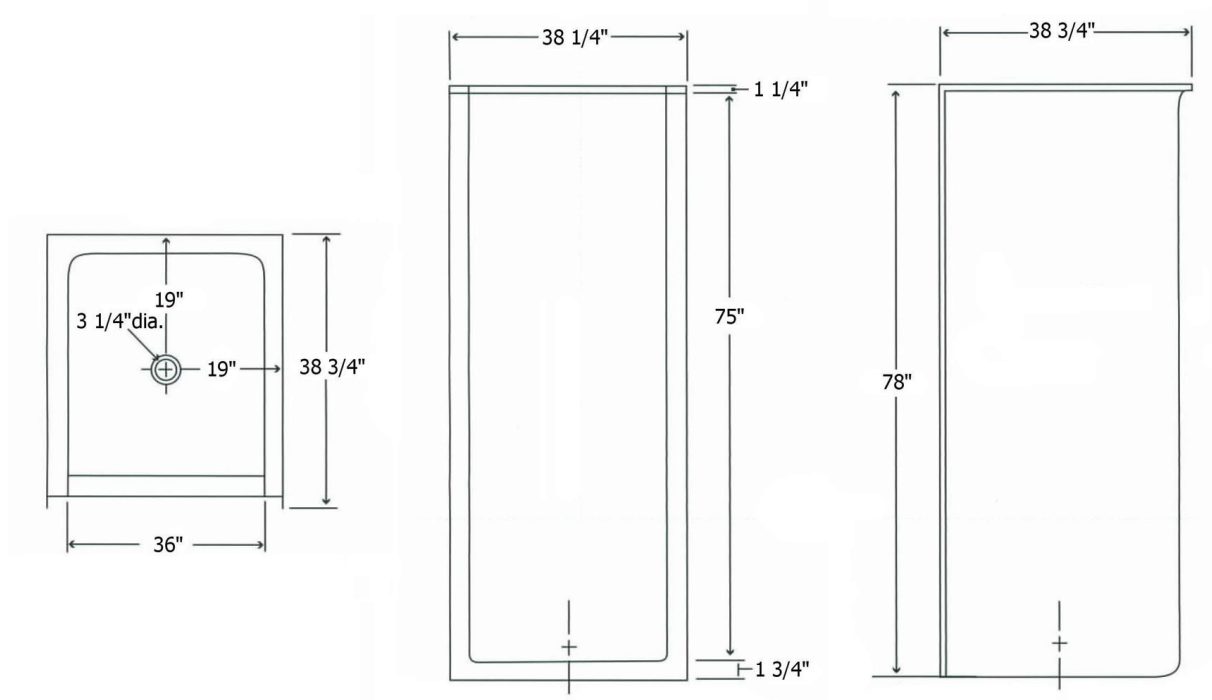
All dimensions may vary.

*See terms and conditions for details.



Model 138H

Exterior Dimensions: 38 1/4 W x 38 3/4 D x 78 H
inches



FEATURES Dimensional Tolerance $\pm \frac{3}{16}$ ". Dimensions needed for site preparation should be measured from the unit. American Bath Group assumes no responsibility for preparatory work.

| Type and Model # | Material | Wall Finish | Pieces | Pkg. Wt. lbs |
|------------------|----------------------|-------------|--------|-----------------|
| Model 138H | Fiberglass Composite | Smooth | 1 | 247 |

DIMENSIONS

| Specifications | inches |
|----------------|--------|
| Width: | 38 1/4 |
| Height: | 78 |
| Depth: | 38 3/4 |

Rev. 06.08.22