

MODEL 338H

3-piece remodeler

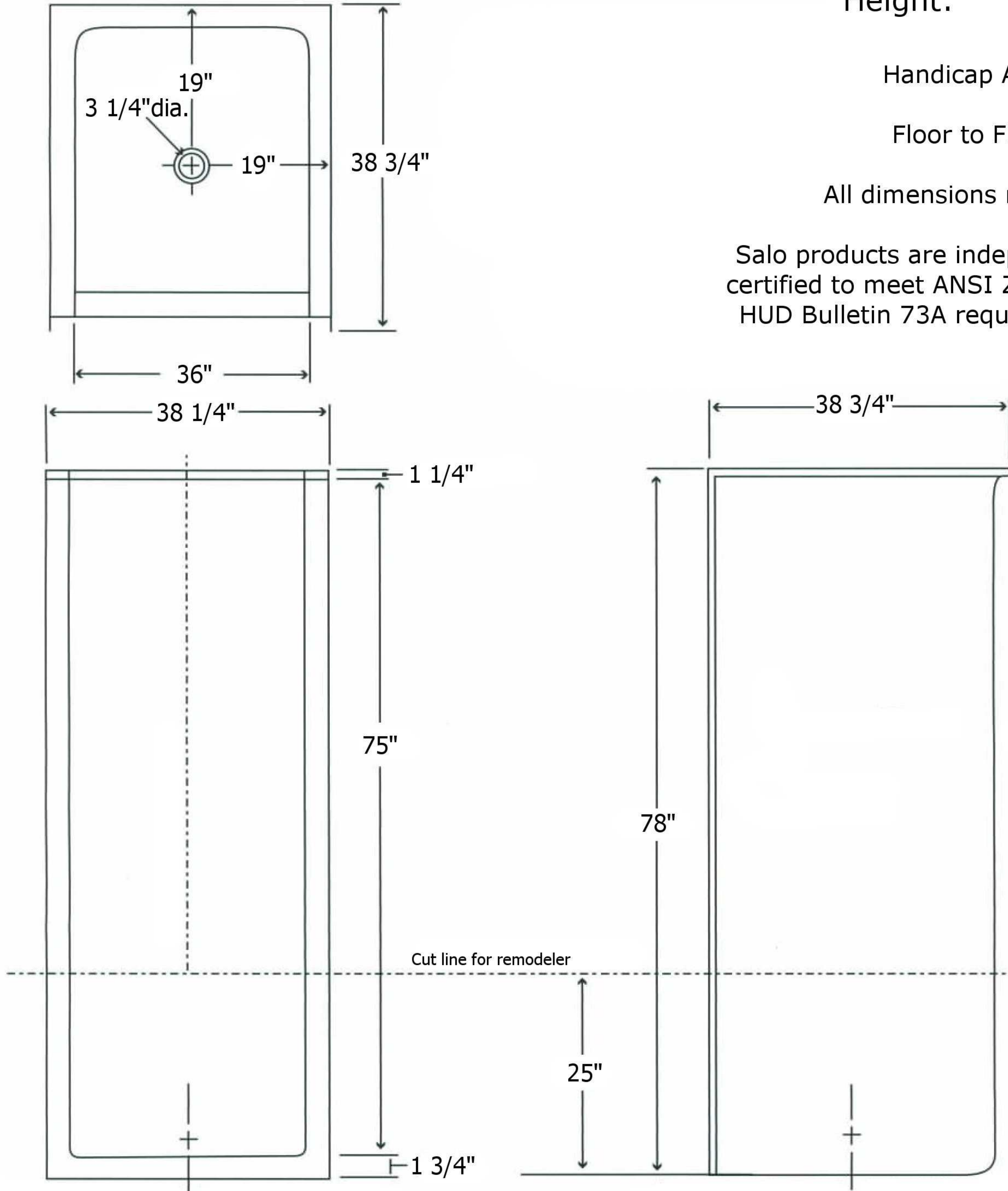
Width: 38 1/4"
 Depth: 38 3/4"
 Height: 78"

Handicap Accessible

Floor to Floor: 3/4"

All dimensions may vary.

Salo products are independently certified to meet ANSI Z 124 and HUD Bulletin 73A requirements.



- OPTION 1 Unit reinforced for future seat and grab bar installation
- OPTION 2A Factory-installed L-shaped grab bar
- OPTION 2A Factory-installed U-shaped grab bar
- OPTION 3 Factory-installed L-shaped grab bar and L-shaped fold-up seat
- OPTION 4A Option 3 plus factory-installed hand-held shower with 24" slide bar, vacuum breaker and 60" hose, pressure balancing mixing valve
- OPTION 4B Option 4A plus factory-installed stainless steel curtain rod